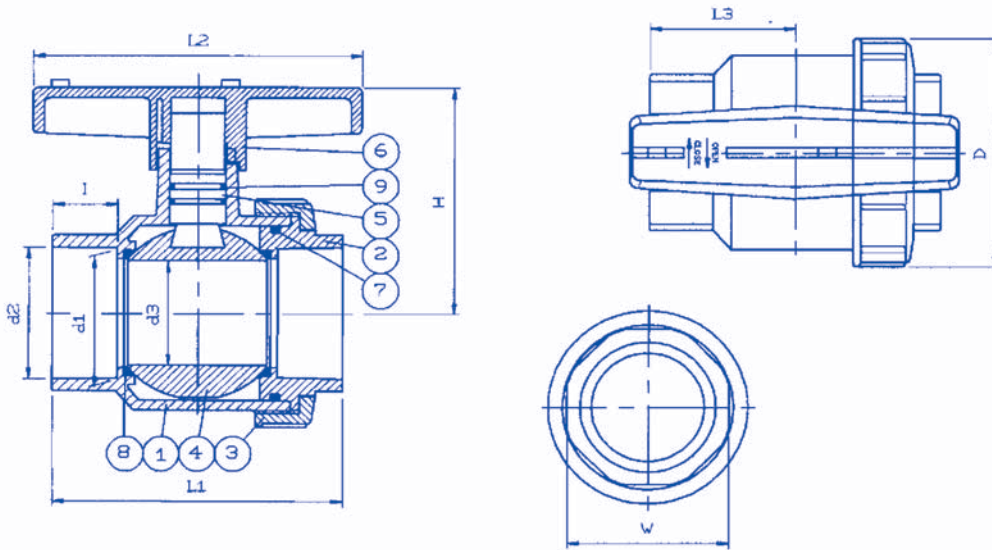


# SINGLE UNION BALL VALVE POOL & SPA

## ENGINEERING SPECIFICATIONS



"QUALITY BY DESIGN"



### PVC WHITE & GRAY PVC WHITE & GRAY

ITEM	PART	PIECES	MATERIAL
1	BODY	1	PVC
2	BODY CAP	1	PVC
3	UNION NUT	1	PVC
4	BALL	1	PVC
5	STEM	1	PVC

ITEM	PART	PIECES	MATERIAL
6	HANDLE	1	ABS
7	UNION O-RING	1	EPDM
8	SEAT SEAL	2	PTFE
9	STEM O-RING	2	EPDM

### ANSI DIMENSIONS

SIZE	d1	d2	d3	D	L1	L2	L3	H	W	I	TEST PRESSURE Lb/in <sup>2</sup>
40mm (1 1/2")	48.11	48.56	38.5	87.5	115	121	56.5	85	60	27.79	225
50mm (2")	60.17	60.63	48	105	130	147	64.7	104	70	29.46	225

25.4mm = 1" (inch)

PVC VALVES  
ENGINEERING SPECIFICATIONS  
APPENDIX D