

iFUSE™

PRODUCT CATALOG



I-FUSE TECHNOLOGY

DURA SOLVENT CEMENTS AND PRIMERS





Irrigation & Plumbing

SOLVENT CEMENTS AND PRIMERS
FOR DURA PVC/CPVC PIPING SYSTEMS



i-FUSE™ for Irrigation & Plumbing
SOLVENT CEMENTS AND PRIMERS
FOR DURA PVC/CPVC PIPING SYSTEMS



i-FUSE PVC Regular



- Clear
- Fast Setting
- Regular Bodied

PVC cement for all classes and schedules through 4" diameter interference fit. Not for Schedule 80.

Meets following performance specifications:

ASTM D 2564, NSF/ANSI 14, NSF/ANSI 61



PART #	SIZE	UNITS/CASE	LBS/CASE	CU. FT./CASE	UPC CODE ON CAN
IFQT100	Quart	12	27	0.67	049081071004
IFPT100	Pint	12	14	0.36	049081071011
IFHP100	1/2 Pint	24	15	0.37	049081071028
IFQP100	1/4 Pint	24	8	0.22	049081071035



i-FUSE PVC Medium



- Clear
- Fast Setting
- Medium Bodied

PVC cement for all classes and schedules through 6" diameter interference fit. Schedule 80 through 4" diameter.

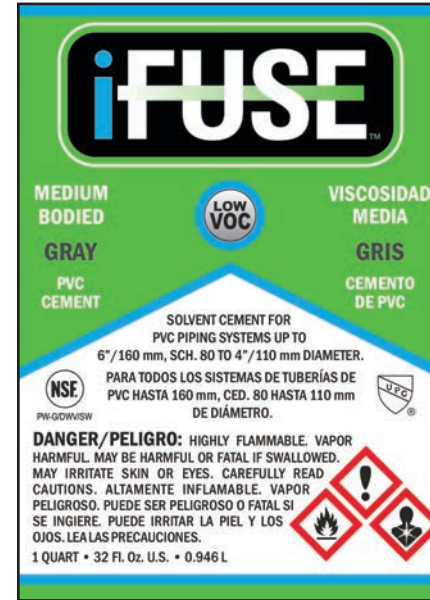
Meets following performance specifications:

ASTM D 2564, NSF/ANSI 14, NSF/ANSI 61



PART #	SIZE	UNITS/CASE	LBS/CASE	CU. FT./CASE	UPC CODE ON CAN
IFGA105	Gallon	6	52	1.07	049081071042
IFQT105	Quart	12	27	0.67	049081071059
IFPT105	Pint	12	14	0.36	049081071066
IFHP105	1/2 Pint	24	15	0.37	049081071073
IFQP105	1/4 Pint	24	8	0.22	049081071080

i-FUSE PVC Medium



- Gray
- Fast Setting
- Medium Bodied

PVC cement for all classes and schedules through 6" diameter interference fit. Schedule 80 through 4" diameter.

Meets following performance specifications:

ASTM D 2564, NSF/ANSI 14, NSF/ANSI 61



PART #	SIZE	UNITS/CASE	LBS/CASE	CU. FT./CASE	UPC CODE ON CAN
IFGA110	Gallon	6	52	1.07	049081071097
IFQT110	Quart	12	27	0.67	049081071103
IFPT110	Pint	12	14	0.36	049081071110
IFHP110	1/2 Pint	24	15	0.37	049081071127
IFQP110	1/4 Pint	24	8	0.22	049081071134



i-FUSE PVC Heavy



- Clear
- Medium Setting
- Heavy Bodied

PVC cement for all classes and schedules through 12" diameter interference fit.

Meets following performance specifications:

ASTM D 2564, NSF/ANSI 14, NSF/ANSI 61



PW-G/DWV/SW



i-FUSE PVC Heavy



- Gray
- Medium Setting
- Heavy Bodied

PVC cement for all classes and schedules through 12" diameter interference fit.

Meets following performance specifications:

ASTM D 2564, NSF/ANSI 14, NSF/ANSI 61



PW-G/DWV/SW



PART #	SIZE	UNITS/CASE	LBS/CASE	CU. FT./CASE	UPC CODE ON CAN
IFGA115	Gallon	6	53	1.07	049081071141
IFQT115	Quart	12	28	0.67	049081071158
IFPT115	Pint	12	14	0.36	049081071165
IFHP115	1/2 Pint	24	15	0.37	049081071172
IFQP115	1/4 Pint	24	8	0.22	049081071189

PART #	SIZE	UNITS/CASE	LBS/CASE	CU. FT./CASE	UPC CODE ON CAN
IFGA120	Gallon	6	53	1.07	049081071196
IFQT120	Quart	12	28	0.67	049081071202
IFPT120	Pint	12	14	0.36	049081071219
IFHP120	1/2 Pint	24	15	0.37	049081071226



i-FUSE PVC Hot Pro



- Blue
- Extremely Fast Setting
- Medium Bodied

PVC cement for all classes and schedules through 6" diameter interference fit. Schedule 80 through 4" diameter.

Excellent for wet, damp or cold conditions.

Meets following performance specifications:

ASTM D 2564, NSF/ANSI 14, NSF/ANSI 61



PW-GDWW/SW



BLUE

PART #	SIZE	UNITS/CASE	LBS/CASE	CU. FT./CASE	UPC CODE ON CAN
IFGA125	Gallon	6	53	1.07	049081071233
IFQT125	Quart	12	27	0.67	049081071240
IFPT125	Pint	12	14	0.36	049081071257
IFHP125	1/2 Pint	24	15	0.37	049081071264
IFQP125	1/4 Pint	24	8	0.22	049081071271

i-FUSE PVC Wet Or Dry



- Aqua Blue
- Very Fast Setting
- Medium Bodied

PVC cement for all classes and schedules through 6" diameter interference fit. Schedule 80 through 4" diameter.

For wet or dry conditions.

Meets following performance specifications:

ASTM D 2564, NSF/ANSI 14, NSF/ANSI 61



PW-GDWW/SW



AQUA BLUE

PART #	SIZE	UNITS/CASE	LBS/CASE	CU. FT./CASE	UPC CODE ON CAN
IFGA130	Gallon	6	53	1.07	049081071288
IFQT130	Quart	12	27	0.67	049081071295
IFPT130	Pint	12	14	0.36	049081071301
IFHP130	1/2 Pint	24	15	0.37	049081071318
IFQP130	1/4 Pint	24	8	0.22	049081071325



i-FUSE CPVC Hot 'N Cold



- Yellow
- Fast Setting
- Medium Bodied

CPVC cement for copper tube size through 2" diameter interference fit.

1-step cement for potable water to 180°F/82°C. Suitable for residential plumbing.

Meets following performance specifications:

ASTM D 2846, ASTM F 493, NSF/ANSI 14, NSF/ANSI 61



PW-GDWV/SW



YELLOW

PART #	SIZE	UNITS/CASE	LBS/CASE	CU. FT./CASE	UPC CODE ON CAN
IFQT135	Quart	12	29	0.67	049081071349
IFPT135	Pint	12	15	0.36	049081071356
IFHP135	1/2 Pint	24	16	0.37	049081071363
IFQP135	1/4 Pint	24	8	0.22	049081071370

i-FUSE CPVC Heavy



- Orange
- Medium Setting
- Heavy Bodied

CPVC cement for all classes and schedules through 12" diameter interference fit. Suitable for applications up to 180°F/82°C.

Meets following performance specifications:

ASTM D 2846, ASTM F 493, NSF/ANSI 14, NSF/ANSI 61



PW-GDWV/SW

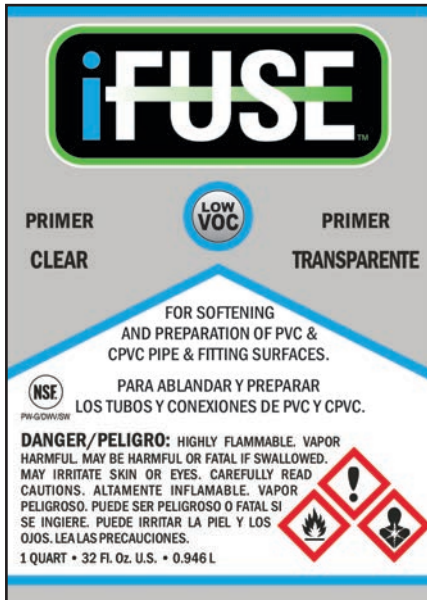


ORANGE

PART #	SIZE	UNITS/CASE	LBS/CASE	CU. FT./CASE	UPC CODE ON CAN
IFQT140	Quart	12	29	0.67	049081071387
IFPT140	Pint	12	14	0.36	049081071394
IFHP140	1/2 Pint	24	15	0.37	049081071400



i-FUSE Primer



• **Clear**

For softening and preparation of plastic pipe and fitting surfaces prior to solvent cement application.

Meets following performance specifications:

ASTM F 656, NSF/ANSI 14, NSF/ANSI 61

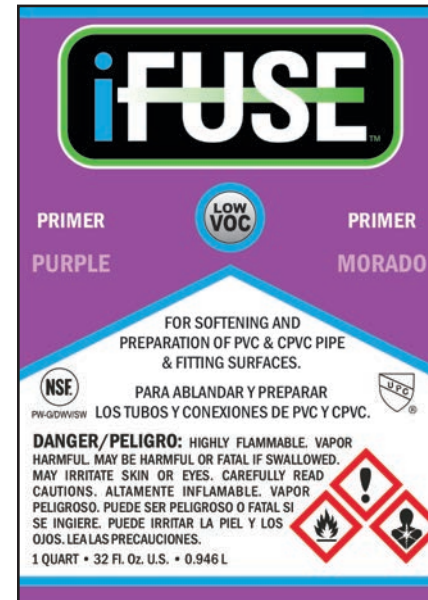


PW-GDWW/SW



PART #	SIZE	UNITS/CASE	LBS/CASE	CU. FT./CASE	UPC CODE ON CAN
IFGA145	Gallon	6	49	1.07	049081071417
IFQT145	Quart	12	25	0.67	049081071424
IFPT145	Pint	12	13	0.36	049081071431
IFHP145	1/2 Pint	24	14	0.37	049081071448
IFQP145	1/4 Pint	24	7	0.22	049081071455

i-FUSE Primer



• **Purple**

For softening and preparation of plastic pipe and fitting surfaces prior to solvent cement application.

Meets following performance specifications:

ASTM F 656, NSF/ANSI 14, NSF/ANSI 61



PW-GDWW/SW



PART #	SIZE	UNITS/CASE	LBS/CASE	CU. FT./CASE	UPC CODE ON CAN
IFGA150	Gallon	6	49	1.07	049081071462
IFQT150	Quart	12	25	0.67	049081071479
IFPT150	Pint	12	13	0.36	049081071486
IFHP150	1/2 Pint	24	14	0.37	049081071493
IFQP150	1/4 Pint	24	7	0.22	049081071509



i-FUSE Cleaner



- **Clear**

For cleaning oil and grease from the pipe and fitting surfaces prior to primer and solvent cement applications.



PART #	SIZE	UNITS/CASE	LBS/CASE	CU. FT./CASE	UPC CODE ON CAN
IFGA155	Gallon	6	46	1.07	049081071516
IFQT155	Quart	12	24	0.67	049081071523
IFPT155	Pint	12	12	0.36	049081071530
IFHP155	1/2 Pint	24	13	0.37	049081071547
IFQP155	1/4 Pint	24	7	0.22	049081071554

i-FUSE PVC Flex Pro



- **Clear**
- **Fast Setting**
- **Medium Bodied**

PVC cement for all classes and schedules through 6" diameter interference fit. Schedule 80 through 3" diameter.

For use on flexible and rigid PVC. Forms flexible, high-strength joints.

Meets following performance specifications:

ASTM D 2564, NSF/ANSI 14, NSF/ANSI 61



PART #	SIZE	UNITS/CASE	LBS/CASE	CU. FT./CASE	UPC CODE ON CAN
IFGA160	Gallon	6	51	1.07	049081071981
IFQT160	Quart	12	27	0.67	049081071998
IFPT160	Pint	12	14	0.36	049081072001
IFHP160	1/2 Pint	24	15	0.37	049081072018
IFQP160	1/4 Pint	24	8	0.22	049081072025



Pool & Spa

SOLVENT CEMENTS AND PRIMERS
FOR DURA PVC/CPVC PIPING SYSTEMS



i-FUSE™ for Pool & Spa
SOLVENT CEMENTS AND PRIMERS
FOR DURA PVC/CPVC PIPING SYSTEMS



i-FUSE POOL Regular



- Clear
- Fast Setting
- Regular Bodied

PVC cement for all classes and schedules through 4" diameter interference fit. Not for Schedule 80.

Meets Following Performance Specifications:

ASTM D 2564, NSF/ANSI 14, NSF/ANSI 61



PART #	SIZE	UNITS/CASE	LBS/CASE	CU. FT./CASE	UPC CODE ON CAN
IFGA200	Gallon	6	54	1.07	049081071561
IFQT200	Quart	12	28	0.67	049081071578
IFPT200	Pint	12	16	0.36	049081071585
IFHP200	1/2 Pint	24	15	0.37	049081071592
IFQP200	1/4 Pint	24	9	0.22	049081071608



i-FUSE POOL Medium



- Clear
- Fast Setting
- Medium Bodied

PVC cement for all classes and schedules through 6" diameter interference fit. Schedule 80 through 4" diameter.

Meets following performance specifications:

ASTM D 2564, NSF/ANSI 14, NSF/ANSI 61



PW-G/DWV/SW



i-FUSE POOL Medium



- Gray
- Fast Setting
- Medium Bodied

PVC cement for all classes and schedules through 6" diameter interference fit. Schedule 80 through 4" diameter.

Meets following performance specifications:

ASTM D 2564, NSF/ANSI 14, NSF/ANSI 61



PW-G/DWV/SW



PART #	SIZE	UNITS/CASE	LBS/CASE	CU. FT./CASE	UPC CODE ON CAN
IFGA205	Gallon	6	52	1.07	049081071615
IFQT205	Quart	12	27	0.67	049081071622
IFPT205	Pint	12	14	0.36	049081071639
IFHP205	1/2 Pint	24	15	0.37	049081071646
IFQP205	1/4 Pint	24	8	0.22	049081071653

PART #	SIZE	UNITS/CASE	LBS/CASE	CU. FT./CASE	UPC CODE ON CAN
IFGA210	Gallon	6	52	1.07	049081071660
IFQT210	Quart	12	27	0.67	049081071677
IFPT210	Pint	12	14	0.36	049081071684
IFHP210	1/2 Pint	24	15	0.37	049081071691



i-FUSE POOL Heavy



- Clear
- Medium Setting
- Heavy Bodied

PVC cement for all classes and schedules through 12" diameter interference fit.

Meets following performance specifications:

ASTM D 2564, NSF/ANSI 14, NSF/ANSI 61



PW-G/DWV/SW



i-FUSE POOL Heavy



- Gray
- Medium setting
- Heavy bodied

PVC cement for all classes and schedules through 12" diameter interference fit.

Meets following performance specifications:

ASTM D 2564, NSF/ANSI 14, NSF/ANSI 61



PW-G/DWV/SW



PART #	SIZE	UNITS/CASE	LBS/CASE	CU. FT./CASE	UPC CODE ON CAN
IFGA215	Gallon	6	56	1.07	049081071707
IFQT215	Quart	12	30	0.67	049081071714
IFPT215	Pint	12	16	0.36	049081071721
IFHP215	1/2 Pint	24	15	0.37	049081071738

PART #	SIZE	UNITS/CASE	LBS/CASE	CU. FT./CASE	UPC CODE ON CAN
IFGA220	Gallon	6	56	1.07	049081071745
IFQT220	Quart	12	31	0.67	049081071752
IFPT220	Pint	12	16	0.36	049081071769
IFHP220	1/2 Pint	24	15	0.37	049081071776



i-FUSE POOL Pro



- **Blue** (fade to clear in sunlight)
- **Very Fast Setting**
- **Medium Bodied**

PVC cement for all classes and schedules through 6" diameter interference fit. Schedule 80 through 4" diameter.

Excellent for maintenance/repair; wet or quick pressurization conditions.

Meets following performance specifications:

ASTM D 2564, NSF/ANSI 14, NSF/ANSI 61

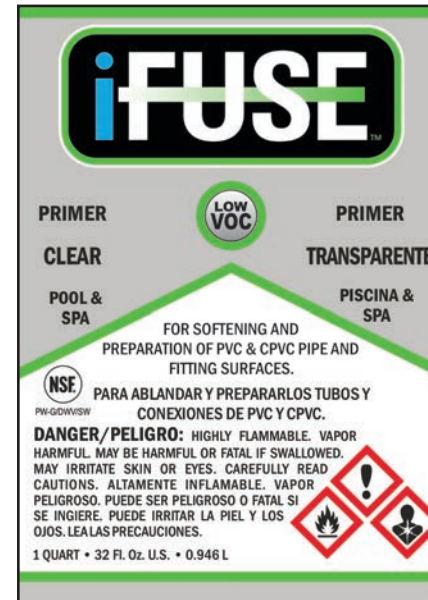


PW-G/DWV/SW



PART #	SIZE	UNITS/CASE	LBS/CASE	CU. FT./CASE	UPC CODE ON CAN
IFQT225	Quart	12	28	0.67	049081071783
IFPT225	Pint	12	14	0.36	049081071790
IFHP225	1/2 Pint	24	15	0.37	049081071806
IFQP225	1/4 Pint	24	8	0.22	049081071813

i-FUSE POOL Primer



- **Clear**

For softening and preparation of plastic pipe and fitting surfaces prior to solvent cement application.

Meets following performance specifications:

ASTM D 656, NSF/ANSI 14, NSF/ANSI 61



PW-G/DWV/SW



PART #	SIZE	UNITS/CASE	LBS/CASE	CU. FT./CASE	UPC CODE ON CAN
IFGA230	Gallon	6	48	1.07	049081071820
IFQT230	Quart	12	27	0.67	049081071837
IFPT230	Pint	12	16	0.36	049081071844
IFHP230	1/2 Pint	24	15	0.37	049081071851
IFQP230	1/4 Pint	24	8	0.22	049081071868



i-FUSE POOL Primer



• **Purple**

For softening and preparation of plastic pipe and fitting surfaces prior to solvent cement application.

Meets following performance specifications:

ASTM D 656, NSF/ANSI 14, NSF/ANSI 61



PW-G/DWW/SW



i-FUSE POOL Cleaner



• **Clear**

For cleaning oil and grease from the pipe and fitting surfaces prior to primer and solvent cement applications.



PART #	SIZE	UNITS/CASE	LBS/CASE	CU. FT./CASE	UPC CODE ON CAN
IFGA235	Gallon	6	48	1.07	049081071875
IFQT235	Quart	12	27	0.67	049081071882
IFPT235	Pint	12	16	0.36	049081071899
IFHP235	1/2 Pint	24	15	0.37	049081071905
IFQP235	1/4 Pint	24	8	0.22	049081071912

PART #	SIZE	UNITS/CASE	LBS/CASE	CU. FT./CASE	UPC CODE ON CAN
IFGA240	Gallon	6	46	1.07	049081071929
IFQT240	Quart	12	24	0.67	049081071936
IFPT240	Pint	12	12	0.36	049081071943
IFHP240	1/2 Pint	24	13	0.37	049081071950
IFQP240	1/4 Pint	24	7	0.22	049081071967

i-FUSE™ Applicators FOR USE WITH i-FUSE™ SOLVENT CEMENTS AND PRIMERS



i-FUSE Daubers

Screw-cap dauber

- Fits 1/4 pint, 1/2 pint, pint and quart cans
- Available in dauber sizes 3/8" to 1 1/2"



PART #	DAUBER SIZE	FOR CAN TYPE	FOR USE WITH PIPE DIAMETER	UNITS/ CASE	LBS/ CASE	CU. FT./ CASE	UPC CODE
GD-100	3/8"	1/4 PINT, 1/2 PINT	1/4" to 3/4"	50	1.5	0.2	049081070106
GD-200	3/4"	1/4 PINT, 1/2 PINT, PINT	3/4" to 1 1/2"	50	1.5	0.2	049081070113
GD-300	1 1/2"	1/4 PINT, 1/2 PINT, PINT	1 1/2" to 3"	50	1.5	0.2	049081070120
GD-400	3/4"	QUART	3/4" to 1 1/2"	50	1.5	0.2	049081070137
GD-500	1 1/2"	QUART	1 1/2" to 3"	50	1.7	0.2	049081070144

i-FUSE 3" Roller

- 3" roller for pipe diameter from 3" through 6"
- Fits i-Fuse empty quart paint-style can



PART #	SIZE	UNITS/ CASE	LBS/ CASE	CU. FT. / CASE	UPC CODE
GD-550	3"	24	6	0.93	049081070175

i-FUSE 7" Roller

- 7" roller for pipe diameter from 6" or larger
- Fits i-Fuse empty wide mouth gallon can



PART #	SIZE	UNITS/ CASE	LBS/ CASE	CU. FT. / CASE	UPC CODE
GD-560	7"	20	7	0.93	049081070182

i-FUSE™ Applicators FOR USE WITH i-FUSE™ SOLVENT CEMENTS AND PRIMERS



i-FUSE Quart Swab

- 4" swab for pipe diameter 3" through 8"
- Fits quart can



PART #	SIZE	UNITS/ CASE	LBS/ CASE	CU. FT. / CASE	UPC CODE
GD-600	4"	24	4	0.93	049081070151

i-FUSE Gallon Swab

- 4" swab for pipe diameters 6" or larger
- Fits gallon can



PART #	SIZE	UNITS/ CASE	LBS/ CASE	CU. FT. / CASE	UPC CODE
GD-700	4"	24	5	0.93	049081070168

i-FUSE Expandable Daubers

- Expandable, fully adjustable dauber stem
- Easy grip handle for better dauber control
- Fits 1/2 pint, pint and quart cans
- Available in dauber sizes 3/4" and 1 1/4"



PART #	DAUBER SIZE	FOR CAN TYPE	FOR USE WITH PIPE DIAMETER	UNITS/ CASE	LBS/ CASE	CU. FT./ CASE	UPC CODE
GD-800	3/4"	1/2 PINT PINT QUART	3/4" - 1 1/2" CTS pipe 1/2" - 1 1/2" Sch. 40 and Sch. 80 IPS pipe	50	2.0	0.2	049081070199
GD-810	1 1/4"	1/2 PINT PINT QUART	1 1/2" - 2" CTS pipe 1 1/4" - 3" Sch. 40 and Sch. 80 IPS pipe	50	2.0	0.2	049081070090

i-FUSE™ Accessories



i-FUSE Empty Cans

- Empty cans for use with i-Fuse cements and primers
- Available in 3 sizes



PART #	SIZE	UNITS / CASE	LBS / CASE	CU. FT. / CASE	UPC CODE
IFGA-E	Gallon (wide mouth)	6	5	1.07	049081072155
IFQT-E	Quart	12	3	0.67	049081072162
IFQT-EP	Quart (paint style)	12	3	0.67	049081072179

i-FUSE Thread Sealant

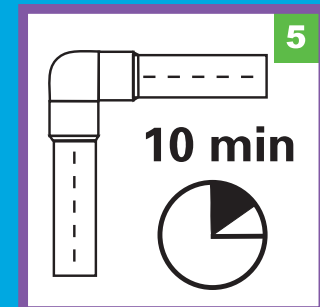
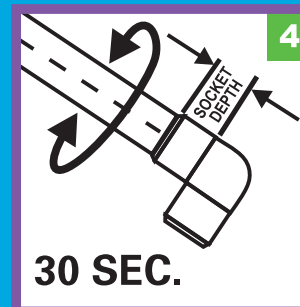
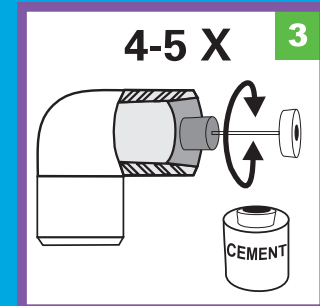
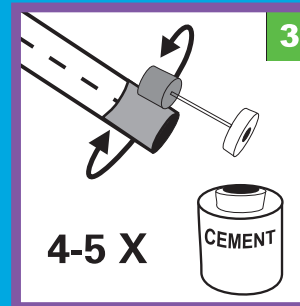
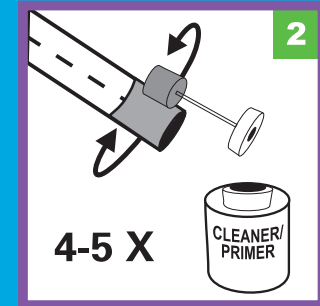
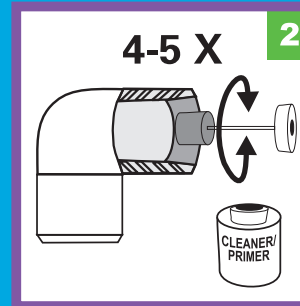
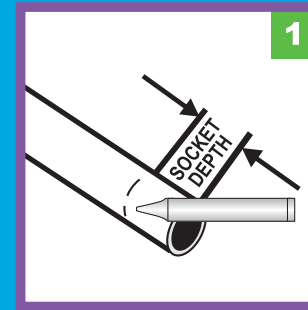
- i-FUSE Thread Sealant with PTFE particles
- For sealing and lubricating pipe threads
- Contains finely homogenized PTFE particles for filling cracks and thread imperfections – ensuring a leakproof seal



PW-G/DWW/SW



PART #	SIZE	UNITS / CASE	LBS / CASE	CU. FT. / CASE	UPC CODE
IFHP-TS	1/2 PINT	24	20	0.39	049081072186





IRRIGATION & PLUMBING

			IRRIGATION & PLUMBING SOLVENT CEMENT, PRIMER AND CLEANER GUIDE											
			INCH	1/2	3/4	1	2	3	4	6	8	10	12	
			MM	20	25	32	63	90	110	160	200	250	315	
PVC	REGULAR BODIED	CLEAR	SCH. 40 PVC											
	MEDIUM BODIED	CLEAR	6" PVC; SCH.80 ONLY UP TO 4"											
	MEDIUM BODIED	GRAY												
	HEAVY BODIED	CLEAR	12" PVC ALL CLASSES & SCHEDULES											
	HEAVY BODIED	GRAY												
	HOT PRO	BLUE	6" PVC; SCH.80 ONLY UP TO 4"											
	WET OR DRY	AQUA BLUE	6" PVC; SCH.80 ONLY UP TO 4"											
CPVC	MEDIUM BODIED	YELLOW	2" CTS ONLY											
	HEAVY BODIED	ORANGE	12" CPVC ALL CLASSES & SCHEDULES											
PRIMER & CLEANER	PRIMER	CLEAR	APPLICABLE FOR ALL PVC & CPVC CLASSES, SCHEDULES AND SIZES											
	PRIMER	PURPLE												
	CLEANER	CLEAR												

POOL & SPA

			POOL & SPA SOLVENT CEMENT, PRIMER AND CLEANER GUIDE											
			INCH	1/2	3/4	1	2	3	4	6	8	10	12	
			MM	20	25	32	63	90	110	160	200	250	315	
PVC	REGULAR BODIED	CLEAR	SCH. 40 PVC											
	MEDIUM BODIED	CLEAR	6" PVC; SCH.80 ONLY UP TO 4"											
	MEDIUM BODIED	GRAY												
	HEAVY BODIED	CLEAR	12" PVC ALL CLASSES & SCHEDULES											
	HEAVY BODIED	GRAY												
	POOL PRO	BLUE	6" PVC; SCH.80 ONLY UP TO 4"											
PRIMER & CLEANER	PRIMER	CLEAR	APPLICABLE FOR ALL PVC CLASSES, SCHEDULES AND SIZES											
	PRIMER	PURPLE												
	CLEANER	CLEAR												

i-FUSE™ SOLVENT CEMENT, AVERAGE SET AND CURE TIMES



AVERAGE INITIAL SET SCHEDULE FOR i-FUSE PVC/CPVC SOLVENT CEMENTS**					
Temperature Range	Pipe Sizes 1/2" to 1 1/4" 20mm to 40mm	Pipe Sizes 1 1/2" to 2" 50mm to 63mm	Pipe Sizes 2 1/2" to 8" 75mm to 200mm	Pipe Sizes 10" to 15" 250mm to 380mm	Pipe Sizes 15"+ 380mm +
60° - 100°F / 16° - 38°C	2 minutes	5 minutes	30 minutes	2 hours	4 hours
40° - 60°F / 5° - 16°C	5 minutes	10 minutes	2 hours	8 hours	16 hours
0° - 40°F / -18° - 5°C	10 minutes	15 minutes	12 hours	24 hours	48 hours

Note - Initial set schedule is the necessary time to allow before the joint can be carefully handled. In damp or humid weather allow 50% more set time.

AVERAGE JOINT CURE SCHEDULE FOR i-FUSE PVC/CPVC SOLVENT CEMENTS**								
Relative Humidity 60% or Less	Pipe Sizes 1/2" to 1 1/4" 20mm to 40mm		Pipe Sizes 1 1/2" to 2" 50mm to 63mm		Pipe Sizes 2 1/2" to 8" 75mm to 200mm		Pipe Sizes 10" to 15" 250mm to 380mm	Pipe Sizes 15" + 380mm +
Temperature range during assembly and cure periods	up to 160 psi / 11 Bar	160 to 370 psi / 11 to 26 Bar	up to 160 psi / 11 Bar	160 to 315 psi / 11 to 22 Bar	up to 160 psi / 11 Bar	160 to 315 psi / 11 to 22 Bar	up to 100 psi / 7 Bar	up to 100 psi / 7 Bar
60° - 100°F / 16° - 38°C	15 min	6 hrs	30 min	12 hrs	1½ hrs	24 hrs	48 hrs	72 hrs
40° - 60°F / 5° - 16°C	20 min	12 hrs	45 min	24 hrs	4 hrs	48 hrs	96 hrs	6 days
0° - 40°F / -18° - 5°C	30 min	48 hrs	1 hour	96 hrs	72 hrs	8 days	8 days	14 days

Note - Joint cure schedule is the necessary time to allow before pressurizing system. In damp or humid weather allow 50% more cure time.

** These figures are estimates based on testing done under laboratory conditions. Field working conditions can vary significantly. This chart should be used as a general reference only.

DURA WAREHOUSES

① CORPORATE

Office (951) 845-3161
Fax (951) 845-7644

② PERRY, GA

Office (478) 988-0282
Fax (478) 987-7003

③ BURLINGTON, IA

Office (319) 758-9060
Fax (319) 758-9058

④ FRACKVILLE, PA

Office (570) 874-4651
Fax (570) 874-4652

⑤ CARROLLTON, TX

Office (972) 406-8996
Fax (972) 406-0306

⑥ SALT LAKE CITY, UT

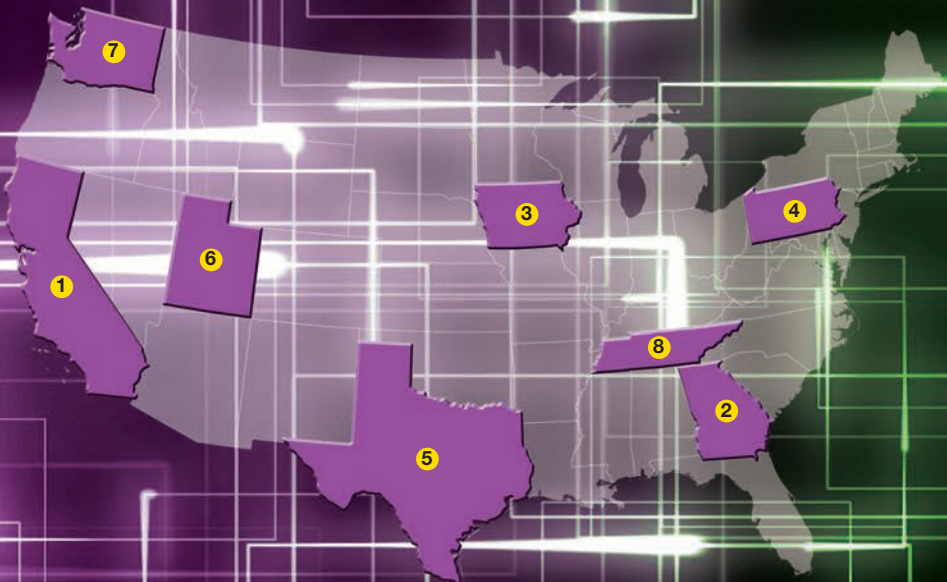
Office (801) 973-9442
Fax (801) 973-9258

⑦ PASCO, WA

Office (509) 547-7272
Fax (509) 547-0107

⑧ CELINA, TN

Office (931) 243-5544
Fax (931) 243-5542



DURA PLASTIC PRODUCTS INC

NATIONAL ORDER DESK

1 (800) 854-2323

CALIFORNIA ORDER DESK

1 (800) 472-8564

DURA PLASTIC PRODUCTS, INC.

P.O. BOX 2097
Beaumont, CA 92223

800-854-2323

www.duraplastics.com

Rev. 2