



SWING JOINTS



**“QUALITY BY
DESIGN”**



"QUALITY BY DESIGN"

CORPORATE OFFICES AND FACTORY
PO BOX 2097
533 EAST THIRD STREET
BEAUMONT, CA 92223
(951)845-3161
FAX (951)845-7644



SWING JOINT WARRANTY

Dura Plastic Products, Inc. ("Dura") extends to the installing purchaser/contractors (and through them, to the owners of irrigation systems) a **Limited Five-Year Warranty** on all Dura Swing Joints.

What is warranted:

- Dura Swing Joints and their individual component parts will be free from defects in materials, workmanship, and assembly techniques (including solvent-welded joints) that affect the performance of the units in professionally designed irrigation systems.
- The Swing Joints will not leak when properly installed.
- The Swing Joints will not rot, rust or corrode by electrolytic action.

What is not warranted:

- Damages or performance failures, including leakage, resulting from improper handling, storage, or installation, from disassembly, modification, accident, vandalism, or other events beyond the control of the manufacturer.
- Installation in irrigation systems not in accordance with established professional standards.
- Consequential and associated damages to irrigation systems and to the properties in which they are installed, including, but not limited to labor and freight costs.

Duration of Warranty:

- This warranty becomes effective on the date of shipment to the installing purchaser/contractor by Dura or its authorized distributor/dealers. It remains in force for no less than five (5) years.

Notification:

- Dura must be notified immediately of any failure. Dura will respond to any notification within 24 hours.
- Should any Dura Swing Joint fail to perform as warranted under the terms of this warranty, Dura will, upon inspection and verification with proof of delivery, replace all units found to be defective in materials, workmanship, or assembly.
- Dura will perform promptly its obligations under this warranty.

THIS WARRANTY IS GRANTED IN LIEU OF ALL OTHER GUARANTEES AND WARRANTIES, EXPRESSED OR IMPLIED, INCLUDING BUT NOT LIMITED TO WARRANTIES OF MERCHANTABILITY AND FITNESS FOR A PARTICULAR PURPOSE, EXCEPT FOR ANY WARRANTIES IMPLIED BY LAW FOR NONCOMMERCIAL CONSUMERS. ANY SUCH WARRANTIES ARE LIMITED TO THE DURATION OF THIS WRITTEN WARRANTY.

Dura Plastic Products Swing Joints (Unibody, Ultra, Kits, Inlet and Outlet styles) shall be rated at 315psi maximum working pressure @73° F when tested in accordance with ASTM D3139.

DO NOT USE OR TEST DURA PRODUCTS WITH LIQUIDS NOT RECOMMENDED BY SELLER OR COMPRESSED AIR OR GAS. DO NOT USE DURA PRODUCTS WITH COMPRESSED AIR OR GAS SYSTEMS. MODIFICATION OF SWING JOINT VOIDS WARRANTY.

MINIMUM BILLING: Minimum billing requirement is \$50.00 net.

RETURNED MERCHANDISE: No merchandise will be accepted for return without authorization. Merchandise must be returned freight prepaid and will be subject to a 20% handling charge.

TERMS: Invoices are due and payable thirty (30) days from date of invoice. A two (2) percent prompt payment discount on net amount of invoice **Excluding Freight** will be allowed if paid by the 10th. All orders received after the 25th of the month will be considered as of the 1st of the following month for billing purposes.

FREIGHT: Freight will be prepaid on 1", 1 1/4", or 1 1/2" stand alone or mixed swing joint orders of five hundred (500) pieces or more for one shipment to a single destination within the contiguous United States from the designated regional warehouse.

Possession of this price list shall not be construed as an offer to sell the products listed.

INDEX

SWING JOINTS

	PAGE
· STANDARD WARRANTY	1
· ORDERING INSTRUCTIONS / COMPONENT ABBREVIATIONS	3 - 4
· STANDARD UNIBODY SWING JOINT	5 - 6
· ULTRA UNIBODY SWING JOINT	7 - 8
· STANDARD KIT SWING JOINT	9 - 10
· ULTRA KIT SWING JOINT	11 - 12
· QUICK COUPLER STANDARD UNIBODY SWING JOINT	13 - 14
· SADDLE UNIBODY SWING JOINT	15 - 16
· O-RING TEE UNIBODY SWING JOINT	17 - 18
· 2" ACME DURA SWING JOINT TEE	19 - 20
· 2" HARCO SWING JOINT TEE UNIBODY	21 - 22
· 2 1/2" HARCO SWING JOINT TEE UNIBODY	23 - 24
· ACME BASE UNIBODY SWING JOINT	25 - 26
· O-RING ELL UNIBODY SWING JOINT	27 - 28
· CONSTANT PRESSURE SWING JOINT	29
· PRE-ASSEMBLED FLEXIBLE SWING JOINT	30
· REPLACEMENT PARTS	31 - 36
· INSTALLATION INSTRUCTIONS	37 - 38
· WIRE HOLDER CLIP	39
· NOTES	40-42

Swing Joints International Standard

**DURA PLASTIC
PRODUCTS, INC.**

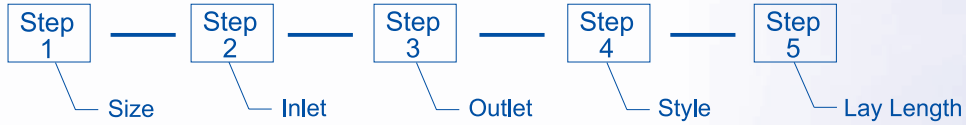
P.O.BOX 2097
533 EAST THIRD STREET
BEAUMONT, CA 92223

www.duraplastics.com



"QUALITY BY DESIGN"

ORDERING MADE AS EASY AS 1, 2, 3...



Step 1..... Determine diameter **Size**

Code	Size		
	Inch	DIN	JIS
1	1"	32mm	25mm
2	1 1/4"	40mm	30mm
3	1 1/2"	50mm	40mm

Choose a diameter Size to meet your application and enter the corresponding code into **Step 1**.

Step 2..... Determine **Inlet** style

From the left hand side of the pages labeled inlet, choose the appropriate inlet style required for your application. Place the **letter** and **number** of the Inlet chosen into **Step 2**.

Step 3..... Determine **Outlet** style

From the right hand side of the pages labeled outlet, choose the appropriate outlet style required for your application by placing the **number** of the Outlet chosen into **Step 3**.

Step 4..... Determine Swing Joint **Style**

This number will be printed for you for the particular style shown. This number can be found on the bottom of the outlets page already inserted in the fourth blank . If the said style meets your application needs, copy that Style number into **Step 4**. For other style options, review additional pages and quick reference chart below.

Description	Style #	Page #
Standard Unibody	1	4,5
Ultra Unibody	2	6,7
Standard Kit	3	8,9
Ultra Kit	4	10,11
Quick Coupler Standard Unibody	11	12,13
Quick Coupler Ultra Unibody	12	12,13
Saddle Standard Unibody	19	14,15
Saddle Ultra Unibody	20	14,15
O-ring Tee Standard Unibody	5	16,17
O-ring Tee Ultra Unibody	6	16,17
2" Harco SJ Tee Standard Unibody	13	18,19
2" Harco SJ Tee Ultra Unibody	14	18,19
2 1/2" Harco SJ Tee Standard Unibody	17	20,21
2 1/2" Harco SJ Tee Ultra Unibody	18	20,21
Acme Base Standard Unibody	15	22,23
Acme Base Ultra Unibody	16	22,23
O-ring Ell Standard Unibody	7	24,25
O-ring Ell Ultra Unibody	8	24,25

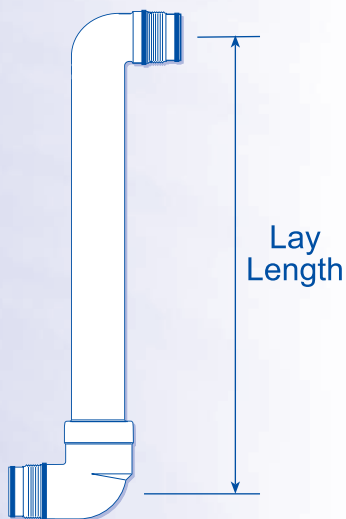
ORDERING MADE EASY!



"QUALITY BY DESIGN"

Step 5..... Determine the desired **Lay Length**

From the box labeled lay length on the right hand side of the page (outlet side), choose the lay length for your application and enter the corresponding Lay Length code into **Step 5**.



LAY LENGTH		LAY LENGTH ORDER CODE
INCH	METRIC	
6"	152mm	6
8"	203mm	8
10"	254mm	10
12"	305mm	12
14"	356mm	14
16"	407mm	16
18"	458mm	18

FOR ADDITIONAL ASSISTANCE, VIEW THE QUICK REFERENCE CHART AT THE BOTTOM OF ANY OUTLET PAGE OR FOR PERSONAL ASSISTANCE, PHONE OUR KNOWLEDGEABLE AND COURTEOUS SWING JOINT PROFESSIONALS AT 1-800-854-2323

COMPONENT ABBREVIATIONS

Abbreviation	Definition
Fipt	Female Iron Pipe Thread
Mipt	Male Iron Pipe Thread
FS	Female Swing
MS	Male Swing
Soc.	Socket
Spg.	Spigot
BSPT	British Standard Pipe (Tapered Thread)
Q.C.	Quick Coupler

ORDERING MADE EASY!









"QUALITY BY DESIGN"

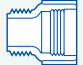
STANDARD UNIBODY

INLETS







IPS STANDARD Iron Pipe Size Standard

 Mipt x FS 1" or 1 1/4" or 1 1/2"	 Spg x FS 1" or 1 1/4" or 1 1/2"	 2" Spg x 1 1/2" FS
 Soc x FS 1" or 1 1/4" or 1 1/2"	 2" Soc x 1 1/2" FS	A6
A7	 4" Spg x FS 1" or 1 1/4" or 1 1/2"	A9







BSPT British Standard Pipe (Tapered Thread)

 BSPT x FS 1" or 1 1/4" or 1 1/2"	B2	B3
--	-----------	-----------

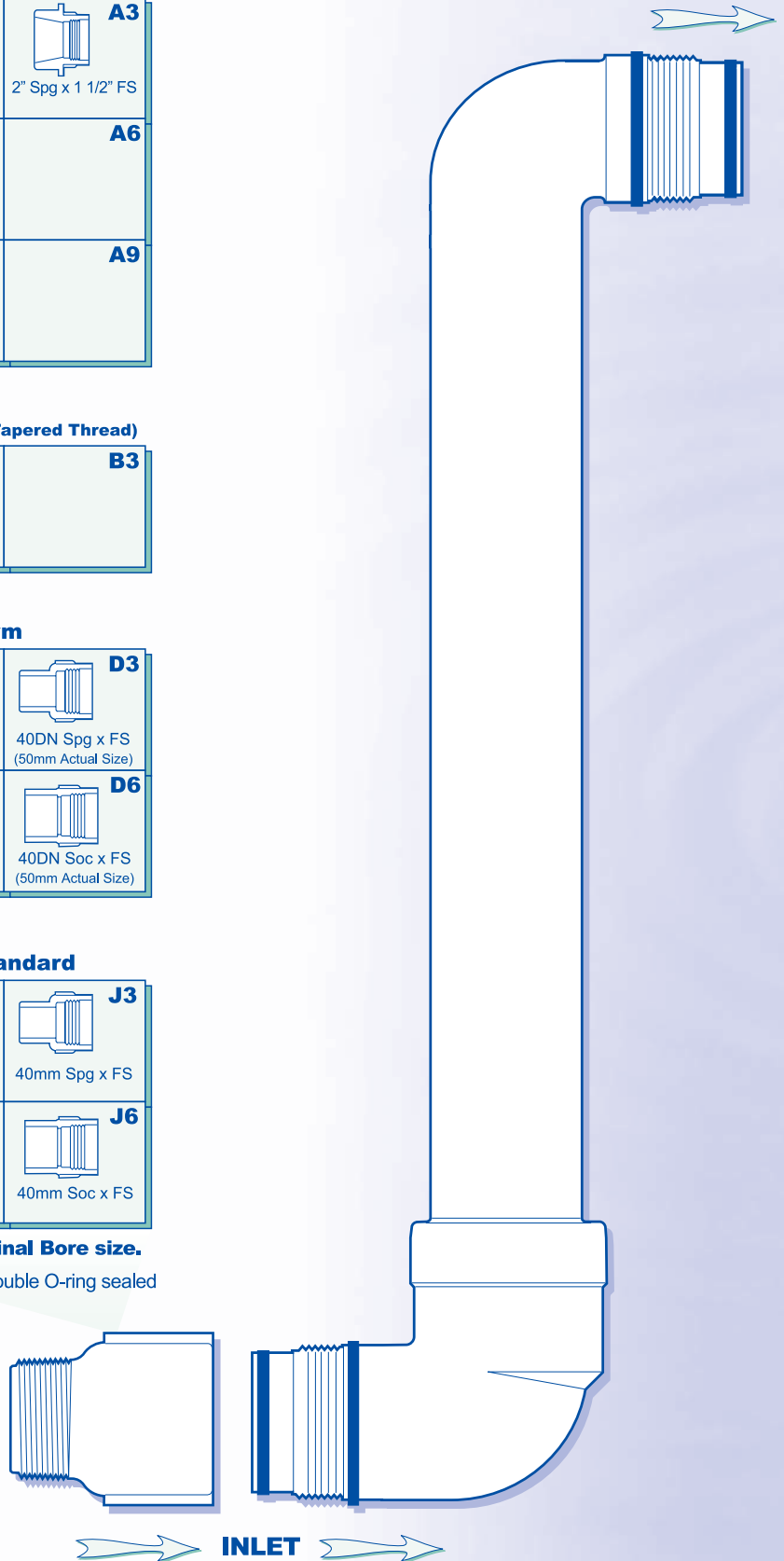
DIN STANDARD Deutsche Industrie Norm

 25DN Spg x FS (32mm Actual Size)	 32DN Spg x FS (40mm Actual Size)	 40DN Spg x FS (50mm Actual Size)
 25DN Soc x FS (32mm Actual Size)	 32DN Soc x FS (40mm Actual Size)	 40DN Soc x FS (50mm Actual Size)

JIS STANDARD Japanese Industrial Standard

 25mm Spg x FS	 30mm Spg x FS	 40mm Spg x FS
 25mm Soc x FS	 30mm Soc x FS	 40mm Soc x FS

JIS Standard reflects Nominal Bore size.
All Swing joint components are double O-ring sealed



For a description of component abbreviations, see page 3.







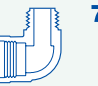
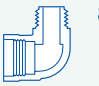



"QUALITY BY DESIGN"

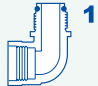
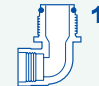
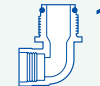
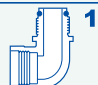
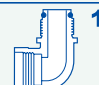
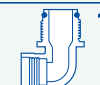

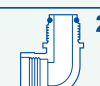
OUTLETS

IPS STANDARD Iron Pipe Size Standard



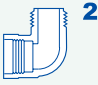





 1 FS x Socket 1" or 1 1/4" or 1 1/2"	 2 FS x Fipt 1" or 1 1/4" or 1 1/2"	 3 FS x Mipt 1" or 1 1/4" or 1 1/2"
 4 1" FS x 1 1/4" Mipt	 5 1" FS x 1 1/2" Mipt	 6 1 1/4" FS x 1 1/2" Mipt
 7 1 1/4" FS x 1" Mipt	 8 1 1/2" FS x 1" Mipt	 9 1 1/2" FS x 1 1/4" Mipt
10	11	12

ACME OUTLETS

 13 1" FS x 1" Acme	 14 1" FS x 1 1/4" Acme	 15 1" FS x 1 1/2" Acme
 16 1 1/4" FS x 1" Acme	 17 1 1/4" FS x 1 1/4" Acme	 18 1 1/4" FS x 1 1/2" Acme
19	 20 1 1/2" FS x 1 1/4" Acme	 21 1 1/2" FS x 1 1/2" Acme

BSPT

British Standard Pipe (Tapered Thread)

 22 FS x BSPT 1" or 1 1/4" or 1 1/2"	 23 1" FS x 1 1/4" BSPT	 24 1" FS x 1 1/2" BSPT
 25 1 1/4" FS x 1 1/2" BSPT	 26 1 1/4" FS x 1" BSPT	 27 1 1/2" FS x 1 1/4" BSPT

LAY LENGTH		LAY LENGTH ORDER CODE
INCH	METRIC	
6"	152mm	6
8"	203mm	8
10"	254mm	10
12"	305mm	12
14"	356mm	14
16"	407mm	16
18"	458mm	18

INCH SIZE	METRIC SIZE		PART NUMBER	BOX QTY
	DIN	JIS		
1"	32mm	25mm	1 - _____ - _____ - 1 - _____	10
1 1/4"	40mm	30mm	2 - _____ - _____ - 1 - _____	10
1 1/2"	50mm	40mm	3 - _____ - _____ - 1 - _____	10

SIZE - STEP 1

INLET - STEP 2

LAY LENGTH - STEP 5

STANDARD UNIBODY - STEP 4

OUTLET - STEP 3

STANDARD UNIBODY









"QUALITY BY DESIGN"


ULTRA UNIBODY

INLETS







IPS STANDARD Iron Pipe Size Standard

 A1 Mipt x FS 1" or 1 1/4" or 1 1/2"	 A2 Spg x FS 1" or 1 1/4" or 1 1/2"	 A3 2" Spg x 1 1/2" FS
 A4 Soc x FS 1" or 1 1/4" or 1 1/2"	 A5 2" Soc x 1 1/2" FS	A6
A7	 A8 4" Spg x FS 1" or 1 1/4" or 1 1/2"	A9







BSPT British Standard Pipe (Tapered Thread)

 B1 BSPT x FS 1" or 1 1/4" or 1 1/2"	B2	B3
---	-----------	-----------

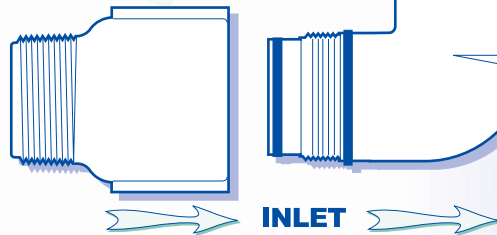
DIN STANDARD Deutsche Industrie Norm

 D1 25DN Spg x FS (32mm Actual Size)	 D2 32DN Spg x FS (40mm Actual Size)	 D3 40DN Spg x FS (50mm Actual Size)
 D4 25DN Soc x FS (32mm Actual Size)	 D5 32DN Soc x FS (40mm Actual Size)	 D6 40DN Soc x FS (50mm Actual Size)

JIS STANDARD Japanese Industrial Standard

 J1 25mm Spg x FS	 J2 30mm Spg x FS	 J3 40mm Spg x FS
 J4 25mm Soc x FS	 J5 30mm Soc x FS	 J6 40mm Soc x FS

JIS Standard reflects Nominal Bore size.
All Swing joint components are double O-ring sealed





"QUALITY BY DESIGN"

OUTLETS

IPS STANDARD Iron Pipe Size Standard



1 FS x Socket 1" or 1 1/4" or 1 1/2"	2 FS x Fipt 1" or 1 1/4" or 1 1/2"	3 FS x Mipt 1" or 1 1/4" or 1 1/2"
4 1" FS x 1 1/4" Mipt	5 1" FS x 1 1/2" Mipt	6 1 1/4" FS x 1 1/2" Mipt
7 1 1/4" FS x 1" Mipt	8 1 1/2" FS x 1" Mipt	9 1 1/2" FS x 1 1/4" Mipt
10	11	12

ACME OUTLETS

13 1" FS x 1" Acme	14 1" FS x 1 1/4" Acme	15 1" FS x 1 1/2" Acme
16 1 1/4" FS x 1" Acme	17 1 1/4" FS x 1 1/4" Acme	18 1 1/4" FS x 1 1/2" Acme
19 1 1/2" FS x 1 1/4" Acme	20 1 1/2" FS x 1 1/2" Acme	21 1 1/2" FS x 1 1/4" Acme

BSPT

British Standard Pipe (Tapered Thread)

22 FS x BSPT 1" or 1 1/4" or 1 1/2"	23 1" FS x 1 1/4" BSPT	24 1" FS x 1 1/2" BSPT
25 1 1/4" FS x 1 1/2" BSPT	26 1 1/4" FS x 1" BSPT	27 1 1/2" FS x 1 1/4" BSPT

LAY LENGTH		LAY LENGTH ORDER CODE
INCH	METRIC	
6"	152mm	6
8"	203mm	8
10"	254mm	10
12"	305mm	12
14"	356mm	14
16"	407mm	16
18"	458mm	18

INCH SIZE	METRIC SIZE		PART NUMBER	BOX QTY
	DIN	JIS		
1"	32mm	25mm	1 - _____ - _____ - 2 - _____	10
1 1/4"	40mm	30mm	2 - _____ - _____ - 2 - _____	10
1 1/2"	50mm	40mm	3 - _____ - _____ - 2 - _____	10

SIZE - STEP 1

INLET - STEP 2

LAY LENGTH - STEP 5

ULTRA UNIBODY - STEP 4

OUTLET - STEP 3

ULTRA UNIBODY

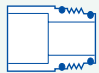
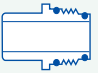

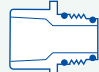
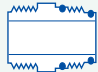





"QUALITY BY DESIGN"

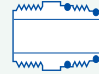



STANDARD KIT

INLETS

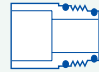
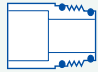
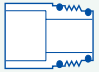
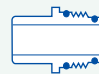

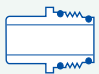
IPS STANDARD Iron Pipe Size Standard

 A1 Soc x MS 1" or 1 1/4" or 1 1/2"	 A2 Spg x MS 1" or 1 1/4" or 1 1/2"	 A3 1 1/4" Spg x 1" MS
 A4 1 1/2" Spg x 1" MS	 A5 Mipt x MS 1" or 1 1/4" or 1 1/2"	 A6 1 1/4" Mipt x 1" MS
 A7 1 1/2" Mipt x 1" MS	 A8 1 1/2" Mipt x 1 1/4" MS	A9

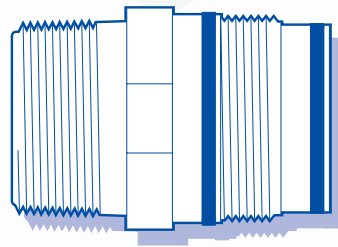
BSPT British Standard Pipe (Tapered Thread)

 B1 BSPT x MS 1" or 1 1/4" or 1 1/2"	 B2 1 1/4" BSPT x 1" MS	 B3 1 1/2" BSPT x 1" MS
 B4 1 1/2" BSPT x 1 1/4" MS	B5	B6

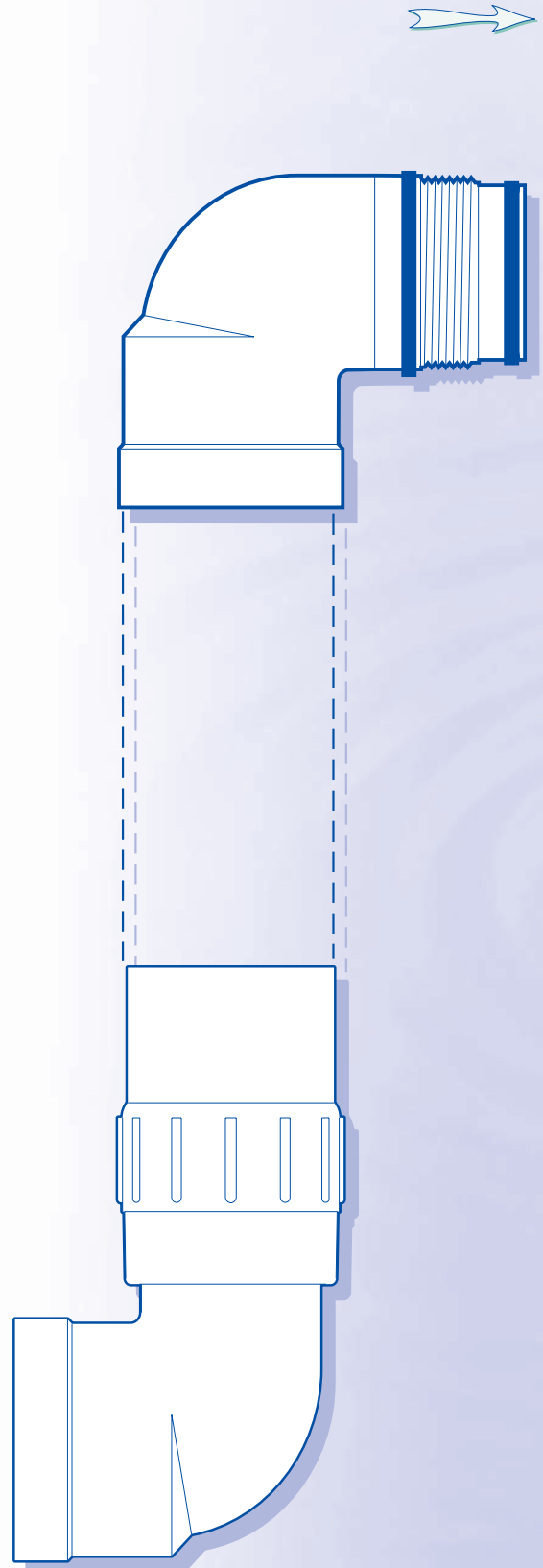
DIN STANDARD Deutsche Industrie Norm

 D1 25DN Soc x MS (32mm Actual Size)	 D2 32DN Soc x MS (40mm Actual Size)	 D3 40DN Soc x MS (50mm Actual Size)
 D4 25DN Spg x MS (32mm Actual Size)	 D5 32DN Spg x MS (40mm Actual Size)	 D6 40DN Spg x MS (50mm Actual Size)

All Swing joint components are double O-ring sealed



INLET

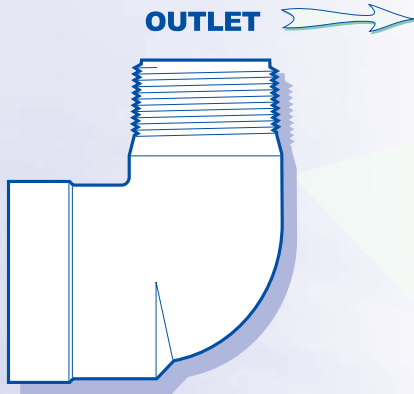


For a description of component abbreviations, see page 3.



"QUALITY BY DESIGN"

OUTLETS



IPS STANDARD Iron Pipe Size Standard

1 FS x Socket 1" or 1 1/4" or 1 1/2"	2 FS x Fipt 1" or 1 1/4" or 1 1/2"	3 FS x Mipt 1" or 1 1/4" or 1 1/2"
4 1" FS x 1 1/4" Mipt	5 1" FS x 1 1/2" Mipt	6 1 1/4" FS x 1 1/2" Mipt
7 1 1/4" FS x 1" Mipt	8 1 1/2" FS x 1" Mipt	9 1 1/2" FS x 1 1/4" Mipt
10	11 FS x Brass Mipt 1" or 1 1/2"	12

ACME OUTLETS

13 1" FS x 1" Acme	14 1" FS x 1 1/4" Acme	15 1" FS x 1 1/2" Acme
16 1 1/4" FS x 1" Acme	17 1 1/4" FS x 1 1/4" Acme	18 1 1/4" FS x 1 1/2" Acme
19	20 1 1/2" FS x 1 1/4" Acme	21 1 1/2" FS x 1 1/2" Acme

BSPT

British Standard Pipe (Tapered Thread)

22 FS x BSPT 1" or 1 1/4" or 1 1/2"	23 1" FS x 1 1/4" BSPT	24 1" FS x 1 1/2" BSPT
25 1 1/4" FS x 1 1/2" BSPT	26 1 1/4" FS x 1" BSPT	27 1 1/2" FS x 1 1/4" BSPT

Installer is to:

1. Furnish pipe.
2. Cut pipe to desired length.
3. Solvent weld as per ASTM D2855-90.

SIZE	PART NUMBER	BOX QTY
1"	1 - _____ - _____ - 3 - 0	20
1 1/4"	2 - _____ - _____ - 3 - 0	20
1 1/2"	3 - _____ - _____ - 3 - 0	20
*32mm	4 - _____ - _____ - 3 - 0	20
*40mm	5 - _____ - _____ - 3 - 0	20
*50mm	6 - _____ - _____ - 3 - 0	20

SIZE - STEP 1

INLET - STEP 2

OUTLET - STEP 3

LAY LENGTH - STEP 5

STANDARD KIT - STEP 4

* Denotes actual dimension

STANDARD KIT

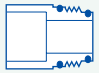






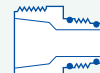
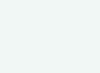


"QUALITY BY DESIGN"




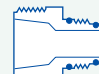
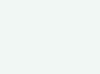
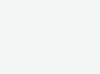
ULTRA KIT

INLETS

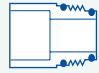
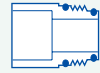
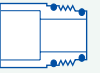
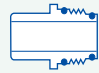
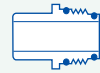
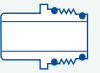
IPS STANDARD Iron Pipe Size Standard

 Soc x MS 1" or 1 1/4" or 1 1/2"	 Spg x MS 1" or 1 1/4" or 1 1/2"	 1 1/4" Spg x 1" MS
 1 1/2" Spg x 1" MS	 Mipt x MS 1" or 1 1/4" or 1 1/2"	 1 1/4" Mipt x 1" MS
 1 1/2" Mipt x 1" MS	 1 1/2" Mipt x 1 1/4" MS	

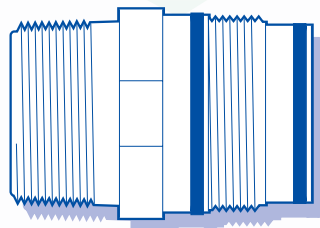
BSPT British Standard Pipe (Tapered Thread)

 BSPT x MS 1" or 1 1/4" or 1 1/2"	 1 1/4" BSPT x 1" MS	 1 1/2" BSPT x 1" MS
 1 1/2" BSPT x 1 1/4" MS		

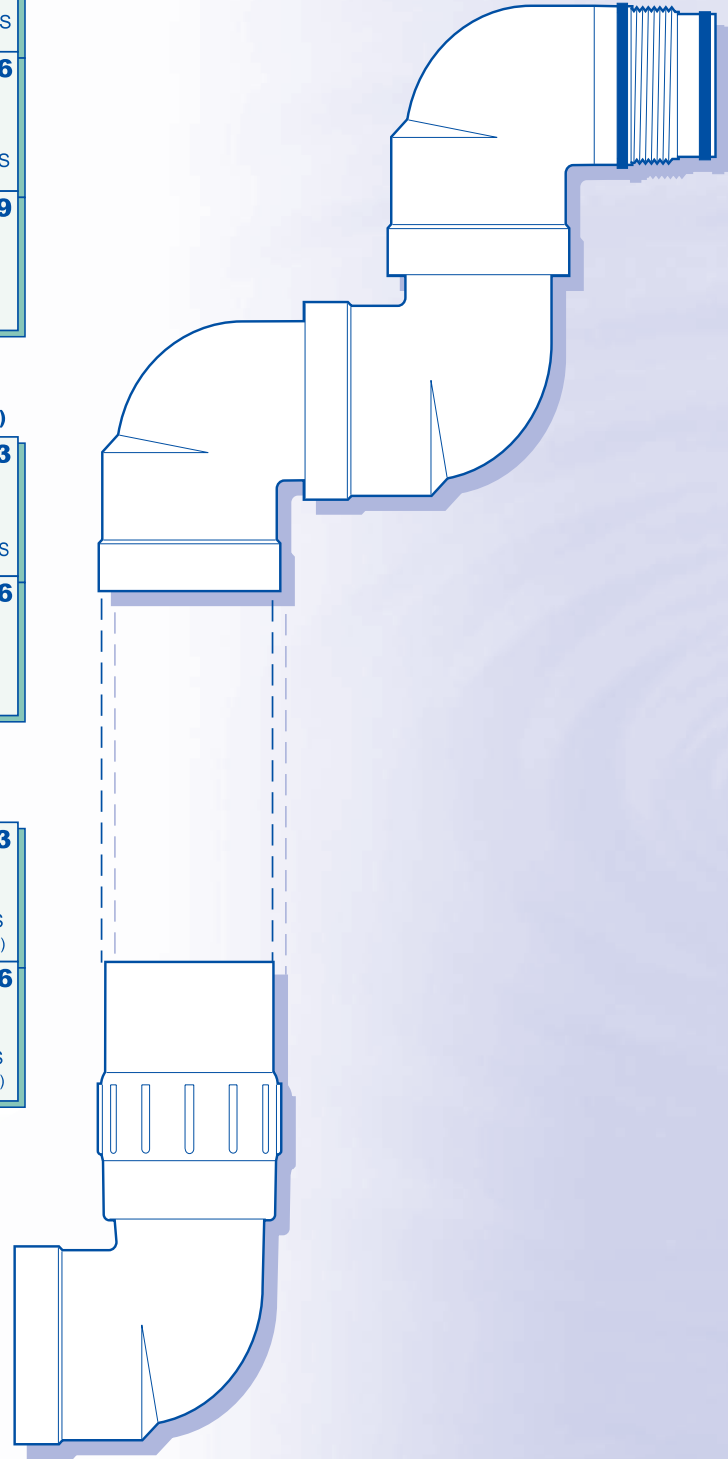
DIN STANDARD Deutsche Industrie Norm

 25DN Soc x MS (32mm Actual Size)	 32DN Soc x MS (40mm Actual Size)	 40DN Soc x MS (50mm Actual Size)
 25DN Spg x MS (32mm Actual Size)	 32DN Spg x MS (40mm Actual Size)	 40DN Spg x MS (50mm Actual Size)

All Swing joint components are double O-ring sealed



INLET

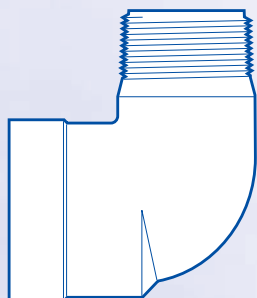




"QUALITY BY DESIGN"

OUTLETS

OUTLET →



IPS STANDARD Iron Pipe Size Standard

1 FS x Socket 1" or 1 1/4" or 1 1/2"	2 FS x Fipt 1" or 1 1/4" or 1 1/2"	3 FS x Mipt 1" or 1 1/4" or 1 1/2"
4 1" FS x 1 1/4" Mipt	5 1" FS x 1 1/2" Mipt	6 1 1/4" FS x 1 1/2" Mipt
7 1 1/4" FS x 1" Mipt	8 1 1/2" FS x 1" Mipt	9 1 1/2" FS x 1 1/4" Mipt
10	11 FS x Brass Mipt 1" or 1 1/2"	12

ACME OUTLETS

13 1" FS x 1" Acme	14 1" FS x 1 1/4" Acme	15 1" FS x 1 1/2" Acme
16 1 1/4" FS x 1" Acme	17 1 1/4" FS x 1 1/4" Acme	18 1 1/4" FS x 1 1/2" Acme
19	20 1 1/2" FS x 1 1/4" Acme	21 1 1/2" FS x 1 1/2" Acme

BSPT

British Standard Pipe (Tapered Thread)

22 FS x BSPT 1" or 1 1/4" or 1 1/2"	23 1" FS x 1 1/4" BSPT	24 1" FS x 1 1/2" BSPT
25 1 1/4" FS x 1 1/2" BSPT	26 1 1/4" FS x 1" BSPT	27 1 1/2" FS x 1 1/4" BSPT

Installer is to:

1. Furnish pipe.
2. Cut pipe to desired length.
3. Solvent weld as per ASTM D2855-90.

SIZE	PART NUMBER	BOX QTY
1"	1 - _____ - _____ - 4 - 0	10
1 1/4"	2 - _____ - _____ - 4 - 0	10
1 1/2"	3 - _____ - _____ - 4 - 0	10
*32mm	4 - _____ - _____ - 4 - 0	10
*40mm	5 - _____ - _____ - 4 - 0	10
*50mm	6 - _____ - _____ - 4 - 0	10

SIZE - STEP 1

INLET - STEP 2

LAY LENGTH - STEP 5

ULTRA KIT - STEP 4

OUTLET - STEP 3

* Denotes actual dimension

ULTRA KIT

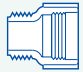
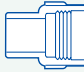

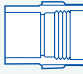
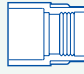



"QUALITY BY DESIGN"

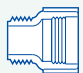
Q.C. STANDARD UNIBODY

INLETS

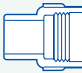
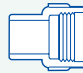
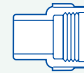



IPS STANDARD Iron Pipe Size Standard

 A1 Mipt x FS 1" or 1 1/4" or 1 1/2"	 A2 Spg x FS 1" or 1 1/4" or 1 1/2"	 A3 2" Spg x 1 1/2" FS
 A4 Soc x FS 1" or 1 1/4" or 1 1/2"	 A5 2" Soc x 1 1/2" FS	A6
A7	 A8 4" Spg x FS 1" or 1 1/4" or 1 1/2"	A9







BSPT British Standard Pipe (Tapered Thread)

 B1 BSPT x FS 1" or 1 1/4" or 1 1/2"	B2	B3
---	-----------	-----------

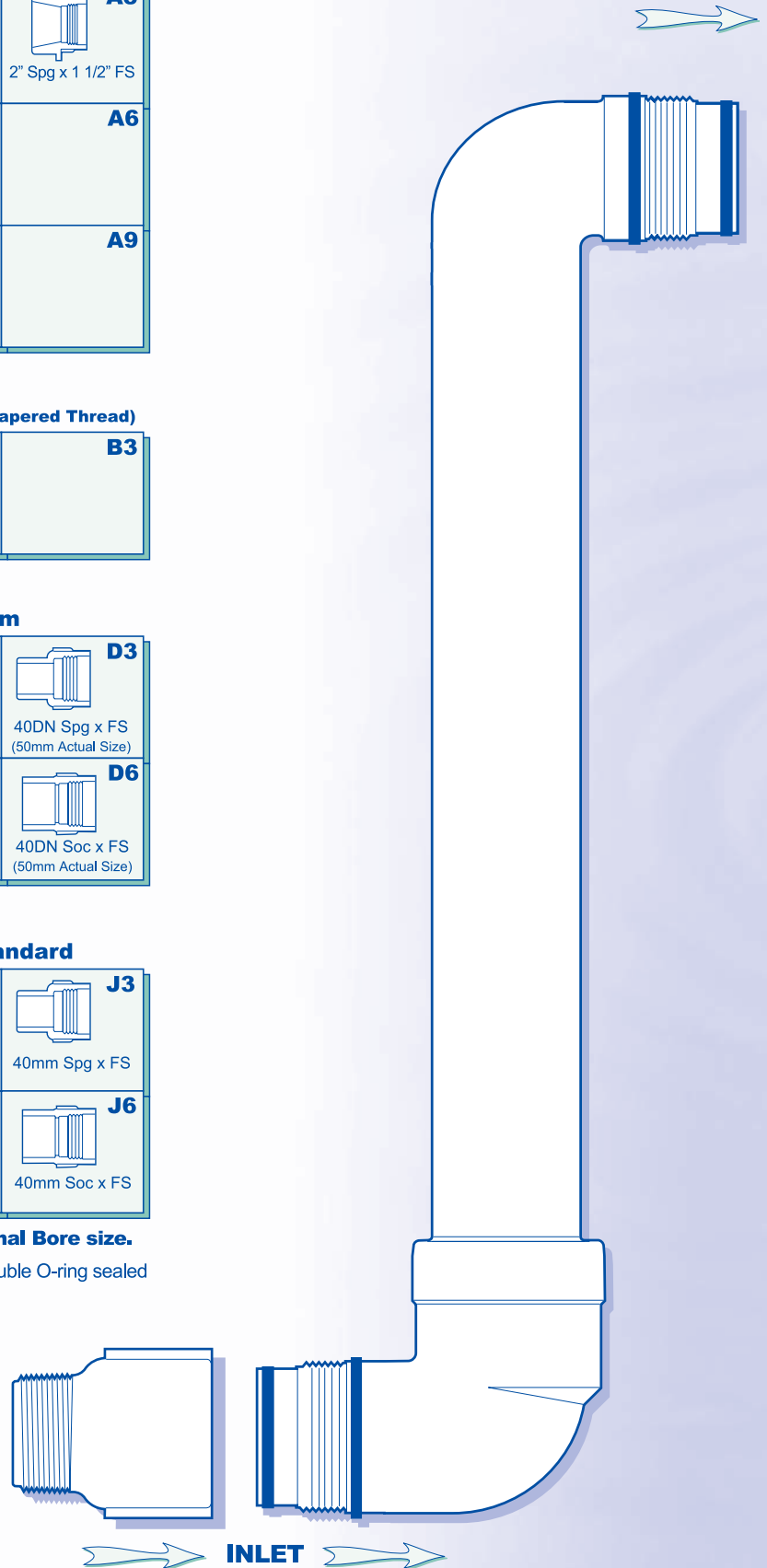
DIN STANDARD Deutsche Industrie Norm

 D1 25DN Spg x FS (32mm Actual Size)	 D2 32DN Spg x FS (40mm Actual Size)	 D3 40DN Spg x FS (50mm Actual Size)
 D4 25DN Soc x FS (32mm Actual Size)	 D5 32DN Soc x FS (40mm Actual Size)	 D6 40DN Soc x FS (50mm Actual Size)

JIS STANDARD Japanese Industrial Standard

 J1 25mm Spg x FS	 J2 30mm Spg x FS	 J3 40mm Spg x FS
 J4 25mm Soc x FS	 J5 30mm Soc x FS	 J6 40mm Soc x FS

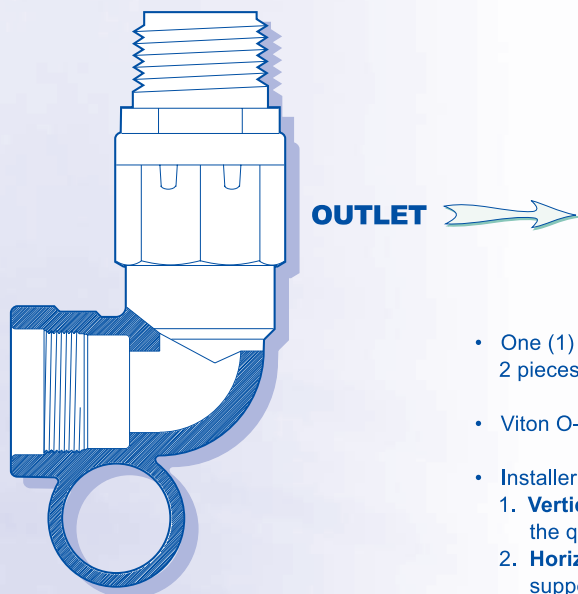
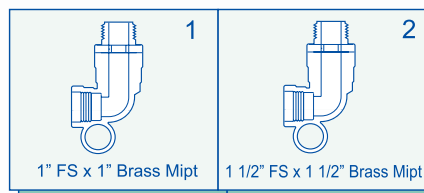
JIS Standard reflects Nominal Bore size.
 All Swing joint components are double O-ring sealed





"QUALITY BY DESIGN"

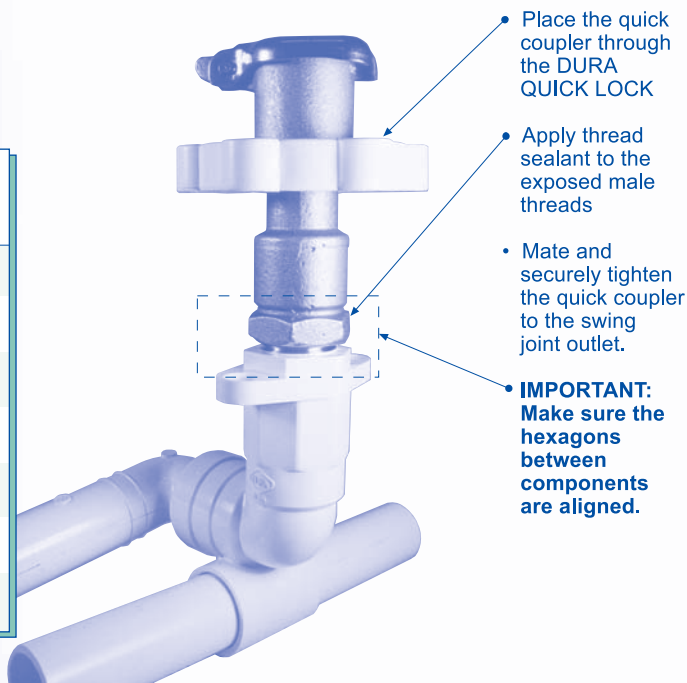
IPS STANDARD
Iron Pipe Size Standard



- One (1) piece Brass Mipt nipple molded to ell eliminates the need for 2 pieces.
- Viton O-ring seal between Brass Mipt and PVC assures against leaks.
- Installer's choice of support features:
 1. **Vertical Support** - Insert 3/8" or 1/2" rebar stabilizing rods to secure the quick coupler valve.
 2. **Horizontal Support** - Insert 1" pipe through molded-in parallel support to stabilize the swing joint.
 3. **Back Support** - A stake mount may be attached to the back of the ell as an optional support.
- Mounting options may be used singularly or in conjunction with one another.

Dura Quick Lock
is automatically included with all
Q.C. Swing Joint orders

LAY LENGTH		LAY LENGTH ORDER CODE
INCH	METRIC	
6"	152mm	6
8"	203mm	8
10"	254mm	10
12"	305mm	12
14"	356mm	14
16"	407mm	16
18"	458mm	18



INCH SIZE	METRIC SIZE		PART NUMBER	BOX QTY
	DIN	JIS		
1"	32mm	25mm	1 - _____ - 11 - _____	20
1 1/2"	50mm	40mm	3 - _____ - 11 - _____	20

SIZE - STEP 1

INLET - STEP 2

LAY LENGTH - STEP 5

Q.C. STANDARD UNIBODY - STEP 4

OUTLET - STEP 3

NOTE: Also available with the ultra unibody. Substitute the #12 in step 4
Ultra unibody swing joints are packaged 10 per box.

Q.C. STANDARD UNIBODY

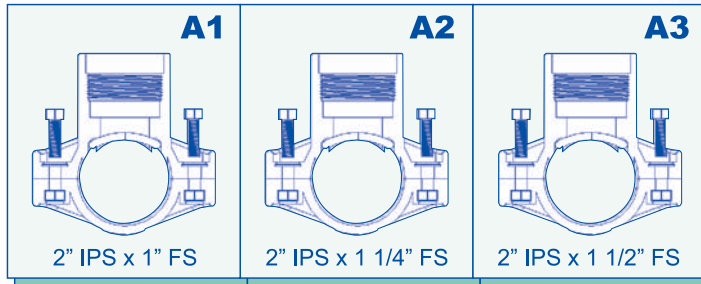


"QUALITY BY DESIGN"

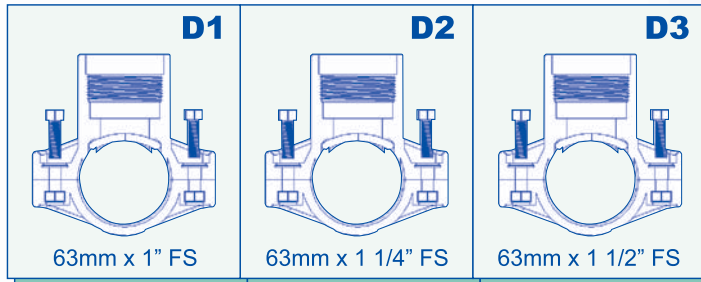
SADDLE UNIBODY

INLETS

IPS STANDARD Iron Pipe Size Standard



DIN STANDARD Deutsche Industrie Norm



All Swing joint components are double O-ring sealed

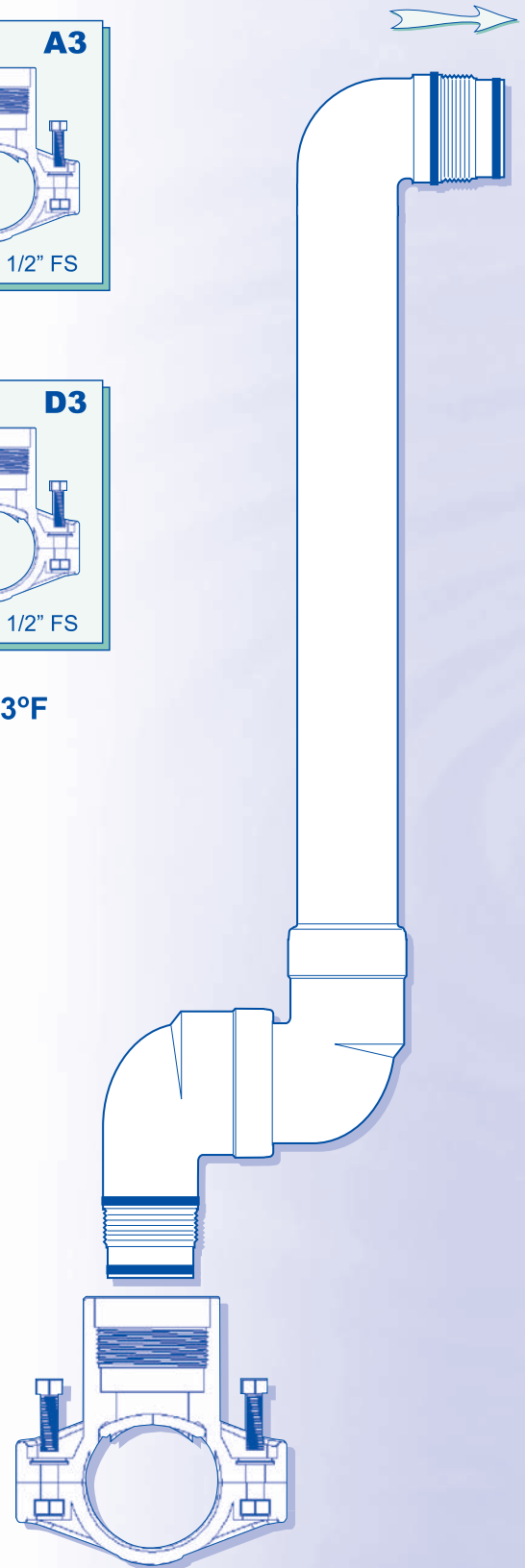
Saddle Unibody is rated at 220 PSI @ 73°F

SADDLE SIZE	REQUIRED HOLE SIZE
1"	1.25 in. (32mm)
1 1/4"	1.50 in. (38mm)
1 1/2"	1.50 in. (38mm)

HOLE SAW

Standard discount does not apply

PART NUMBER	SIZE	QTY
HS-125	1"	1
HS-150	1 1/4" - 1 1/2"	1



INLET










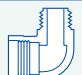

"QUALITY BY DESIGN"

SADDLE UNIBODY

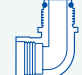
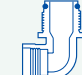
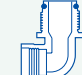
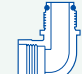


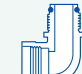

OUTLETS



IPS STANDARD Iron Pipe Size Standard







 1 FS x Socket 1" or 1 1/4" or 1 1/2"	 2 FS x Fipt 1" or 1 1/4" or 1 1/2"	 3 FS x Mipt 1" or 1 1/4" or 1 1/2"
 4 1" FS x 1 1/4" Mipt	 5 1" FS x 1 1/2" Mipt	 6 1 1/4" FS x 1 1/2" Mipt
 7 1 1/4" FS x 1" Mipt	 8 1 1/2" FS x 1" Mipt	 9 1 1/2" FS x 1 1/4" Mipt
10	11	12

ACME OUTLETS

 13 1" FS x 1" Acme	 14 1" FS x 1 1/4" Acme	 15 1" FS x 1 1/2" Acme
 16 1 1/4" FS x 1" Acme	 17 1 1/4" FS x 1 1/4" Acme	 18 1 1/4" FS x 1 1/2" Acme
19	 20 1 1/2" FS x 1 1/4" Acme	 21 1 1/2" FS x 1 1/2" Acme

BSPT

British Standard Pipe (Tapered Thread)

 22 FS x BSPT 1" or 1 1/4" or 1 1/2"	 23 1" FS x 1 1/4" BSPT	 24 1" FS x 1 1/2" BSPT
 25 1 1/4" FS x 1 1/2" BSPT	 26 1 1/4" FS x 1" BSPT	 27 1 1/2" FS x 1 1/4" BSPT

LAY LENGTH		LAY LENGTH ORDER CODE
INCH	METRIC	
6"	152mm	6
8"	203mm	8
10"	254mm	10
12"	305mm	12
14"	356mm	14
16"	407mm	16
18"	458mm	18

NOTE: Also available with the ultra unibody. Substitute the #20 in step 4
Ultra unibody swing joints are packaged 10 per box.

INCH SIZE	METRIC SIZE		PART NUMBER	BOX QTY
	DIN	JIS		
1"	32mm	25mm	1 - _____ - 19 - _____	10
1 1/4"	40mm	30mm	2 - _____ - _____ - 19 - _____	10
1 1/2"	50mm	40mm	3 - _____ - _____ - 19 - _____	10

SIZE - STEP 1

INLET - STEP 2

LAY LENGTH - STEP 5

SADDLE UNIBODY - STEP 4

OUTLET - STEP 3

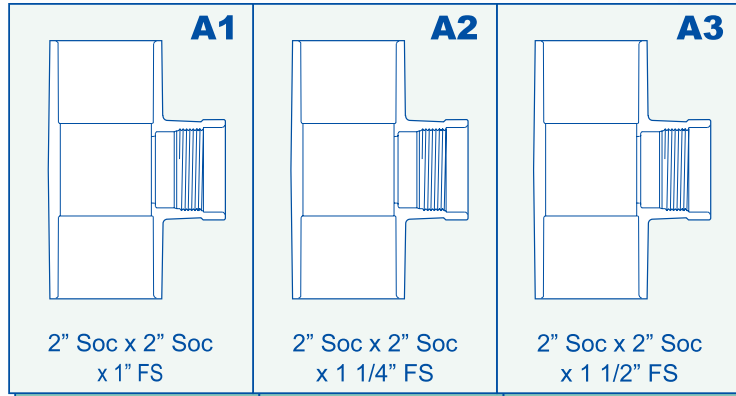


"QUALITY BY DESIGN"

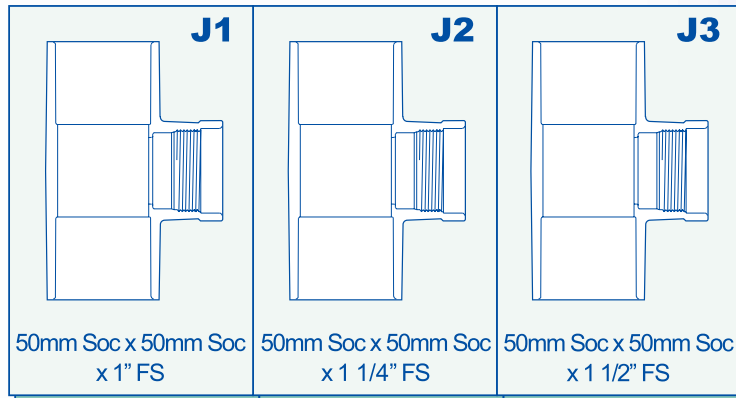
O-RING TEE UNIBODY

INLETS

IPS STANDARD Iron Pipe Size Standard

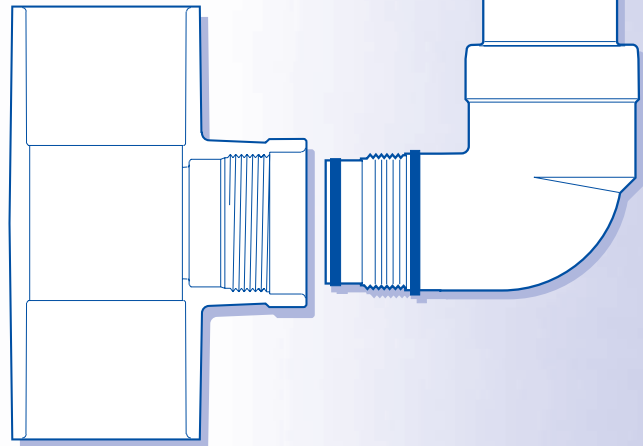


JIS STANDARD Japanese Industrial Standard



All Swing joint components are double O-ring sealed

- D3139 rated 315psi Double O-ring sealed inlet connection.
- Eliminates overtightening.
- Eliminates need for Teflon tape or paste.



INLET



"QUALITY BY DESIGN"

O-RING TEE UNIBODY

OUTLETS

IPS STANDARD Iron Pipe Size Standard



1 FS x Socket 1" or 1 1/4" or 1 1/2"	2 FS x Fipt 1" or 1 1/4" or 1 1/2"	3 FS x Mipt 1" or 1 1/4" or 1 1/2"
4 1" FS x 1 1/4" Mipt	5 1" FS x 1 1/2" Mipt	6 1 1/4" FS x 1 1/2" Mipt
7 1 1/4" FS x 1" Mipt	8 1 1/2" FS x 1" Mipt	9 1 1/2" FS x 1 1/4" Mipt
10	11	12

ACME OUTLETS

13 1" FS x 1" Acme	14 1" FS x 1 1/4" Acme	15 1" FS x 1 1/2" Acme
16 1 1/4" FS x 1" Acme	17 1 1/4" FS x 1 1/4" Acme	18 1 1/4" FS x 1 1/2" Acme
19	20 1 1/2" FS x 1 1/4" Acme	21 1 1/2" FS x 1 1/2" Acme

BSPT

British Standard Pipe (Tapered Thread)

22 FS x BSPT 1" or 1 1/4" or 1 1/2"	23 1" FS x 1 1/4" BSPT	24 1" FS x 1 1/2" BSPT
25 1 1/4" FS x 1 1/2" BSPT	26 1 1/4" FS x 1" BSPT	27 1 1/2" FS x 1 1/4" BSPT

LAY LENGTH		LAY LENGTH ORDER CODE
INCH	METRIC	
6"	152mm	6
8"	203mm	8
10"	254mm	10
12"	305mm	12
14"	356mm	14
16"	407mm	16
18"	458mm	18

*Quick Coupler Outlets available. Contact Dura's Sales Department for part numbers and pricing.

NOTE: Also available with the ultra unibody. Substitute the #6 in step 4
Ultra unibody swing joints are packaged 10 per box.

INCH SIZE	METRIC JIS SIZE	PART NUMBER	BOX QTY
1"	25mm	1 - _____ - _____ - 5 - _____	10
1 1/4"	30mm	2 - _____ - _____ - 5 - _____	10
1 1/2"	40mm	3 - _____ - _____ - 5 - _____	10

SIZE - STEP 1

INLET - STEP 2

LAY LENGTH - STEP 5

O-RING TEE STANDARD UNIBODY - STEP 4

OUTLET - STEP 3

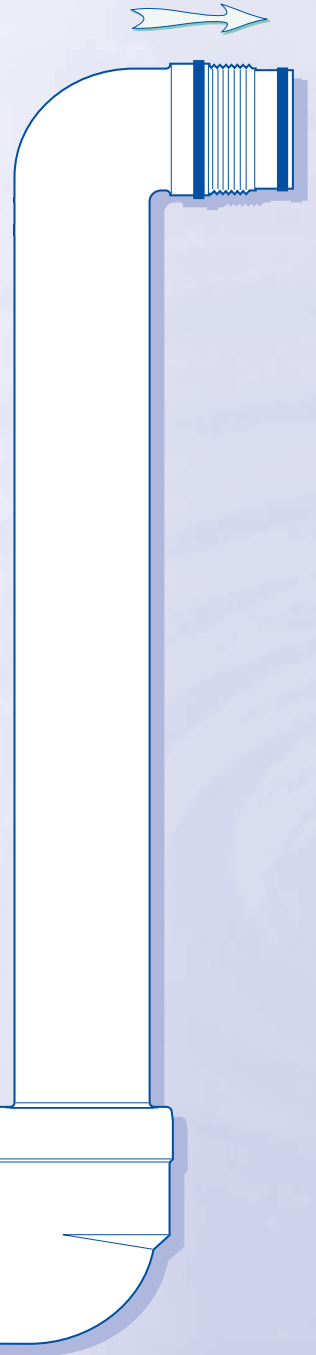
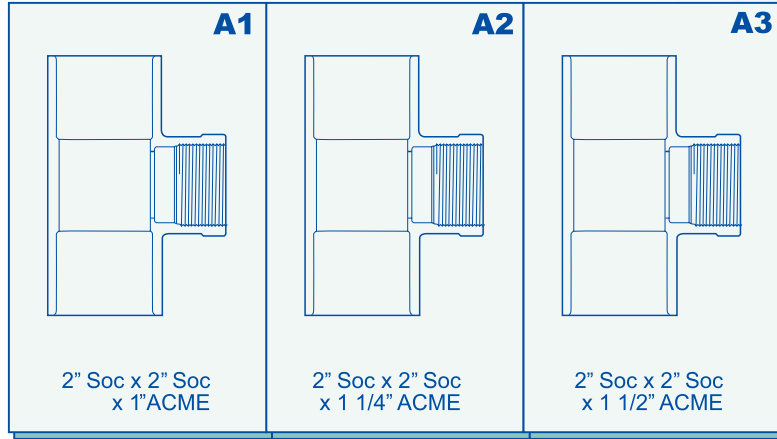


"QUALITY BY DESIGN"

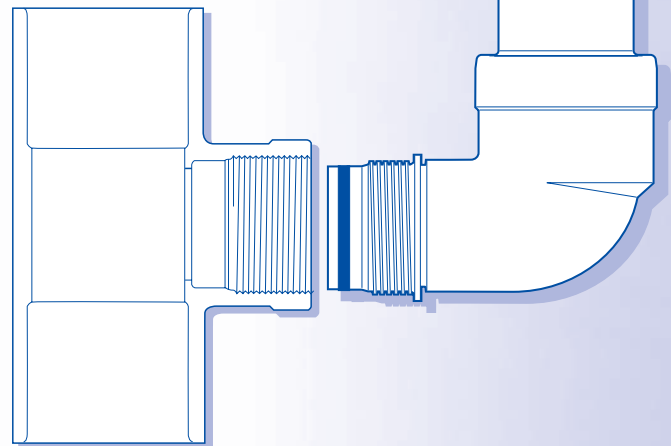
2" ACME DURA SWING JOINT TEE

INLETS

2" INLET SLIP X ACME SWING JOINT TEE



- Eliminates overtightening.
- Eliminates need for Teflon tape or paste.



INLET

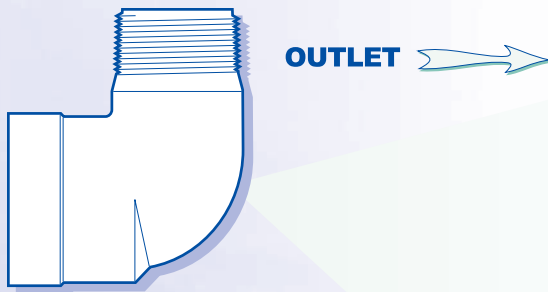


"QUALITY BY DESIGN"

2" ACME DURA SWING JOINT TEE

OUTLETS

IPS STANDARD Iron Pipe Size Standard



1 FS x Socket 1" or 1 1/4" or 1 1/2"	2 FS x Fipt 1" or 1 1/4" or 1 1/2"	3 FS x Mipt 1" or 1 1/4" or 1 1/2"
4 1" FS x 1 1/4" Mipt	5 1" FS x 1 1/2" Mipt	6 1 1/4" FS x 1 1/2" Mipt
7 1 1/4" FS x 1" Mipt	8 1 1/2" FS x 1" Mipt	9 1 1/2" FS x 1 1/4" Mipt
10	11	12

ACME OUTLETS

13 1" FS x 1" Acme	14 1" FS x 1 1/4" Acme	15 1" FS x 1 1/2" Acme
16 1 1/4" FS x 1" Acme	17 1 1/4" FS x 1 1/4" Acme	18 1 1/4" FS x 1 1/2" Acme
19	20 1 1/2" FS x 1 1/4" Acme	21 1 1/2" FS x 1 1/2" Acme

BSPT

British Standard Pipe (Tapered Thread)

22 FS x BSPT 1" or 1 1/4" or 1 1/2"	23 1" FS x 1 1/4" BSPT	24 1" FS x 1 1/2" BSPT
25 1 1/4" FS x 1 1/2" BSPT	26 1 1/4" FS x 1" BSPT	27 1 1/2" FS x 1 1/4" BSPT

LAY LENGTH	LAY LENGTH ORDER CODE
INCH	
6"	6
8"	8
10"	10
12"	12
14"	14
16"	16
18"	18

*Quick Coupler Outlets available. Contact Dura's Sales Department for part numbers and pricing.

NOTE: Also available with the ultra unibody. Substitute the # 21 in step 4
Ultra unibody swing joints are packaged 10 per box.

INCH SIZE	METRIC JIS SIZE	PART NUMBER	BOX QTY
1"	25mm	1 - _____ - _____ - 20 - _____	20
1 1/4"	30mm	2 - _____ - _____ - 20 - _____	20
1 1/2"	40mm	3 - _____ - _____ - 20 - _____	20

SIZE - STEP 1

INLET - STEP 2

LAY LENGTH - STEP 5

ACME BASE STANDARD UNIBODY - STEP 4

OUTLET - STEP 3

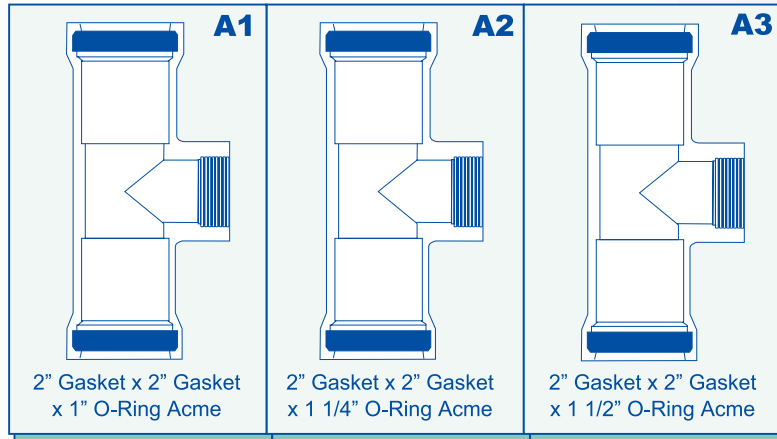


"QUALITY BY DESIGN"

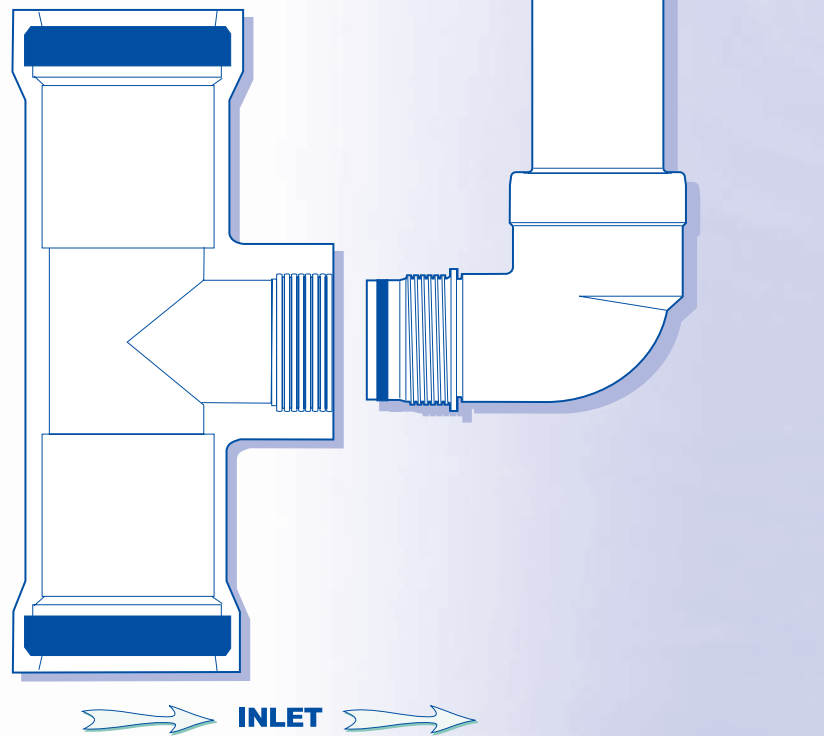
2" HARCO SWING JOINT TEE UNIBODY

INLETS

2" INLET HARCO SWING JOINT TEE



- No chance of overtightening threaded service tee fitting.
- No solvent welding required.
- A proven method, improved.











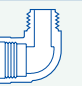
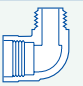
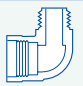
"QUALITY BY DESIGN"

2" HARCO SWING JOINT TEE UNIBODY

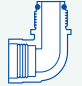
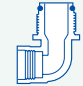
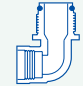
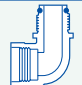

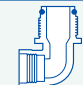
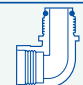
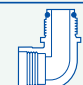
OUTLETS

IPS STANDARD Iron Pipe Size Standard









 1 FS x Socket 1" or 1 1/4" or 1 1/2"	 2 FS x Fipt 1" or 1 1/4" or 1 1/2"	 3 FS x Mipt 1" or 1 1/4" or 1 1/2"
 4 1" FS x 1 1/4" Mipt	 5 1" FS x 1 1/2" Mipt	 6 1 1/4" FS x 1 1/2" Mipt
 7 1 1/4" FS x 1" Mipt	 8 1 1/2" FS x 1" Mipt	 9 1 1/2" FS x 1 1/4" Mipt
10	11	12

ACME OUTLETS

 13 1" FS x 1" Acme	 14 1" FS x 1 1/4" Acme	 15 1" FS x 1 1/2" Acme
 16 1 1/4" FS x 1" Acme	 17 1 1/4" FS x 1 1/4" Acme	 18 1 1/4" FS x 1 1/2" Acme
19	 20 1 1/2" FS x 1 1/4" Acme	 21 1 1/2" FS x 1 1/2" Acme

BSPT

British Standard Pipe (Tapered Thread)

 22 FS x BSPT 1" or 1 1/4" or 1 1/2"	 23 1" FS x 1 1/4" BSPT	 24 1" FS x 1 1/2" BSPT
 25 1 1/4" FS x 1 1/2" BSPT	 26 1 1/4" FS x 1" BSPT	 27 1 1/2" FS x 1 1/4" BSPT

LAY LENGTH	LAY LENGTH ORDER CODE
INCH	
6"	6
8"	8
10"	10
12"	12
14"	14
16"	16
18"	18

*Quick Coupler Outlets available. Contact Dura's Sales Department for part numbers and pricing.

NOTE: Also available with the ultra unibody. Substitute the #14 in step 4. Ultra unibody swing joints are packaged 10 per box.

INCH SIZE	METRIC JIS SIZE	PART NUMBER	BOX QTY
1"	25mm	1 - _____ - _____ - 13 - _____	10
1 1/4"	30mm	2 - _____ - _____ - 13 - _____	10
1 1/2"	40mm	3 - _____ - _____ - 13 - _____	10

SIZE - STEP 1

INLET - STEP 2

LAY LENGTH - STEP 5

2" HARCO SWING JOINT TEE UNIBODY - STEP 4

OUTLET - STEP 3

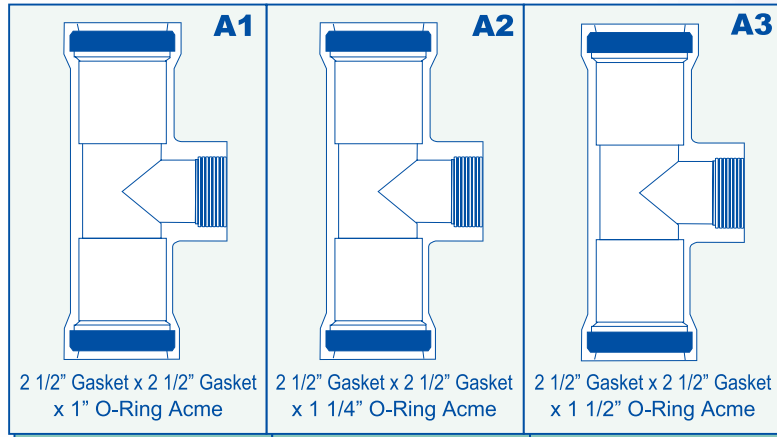


"QUALITY BY DESIGN"

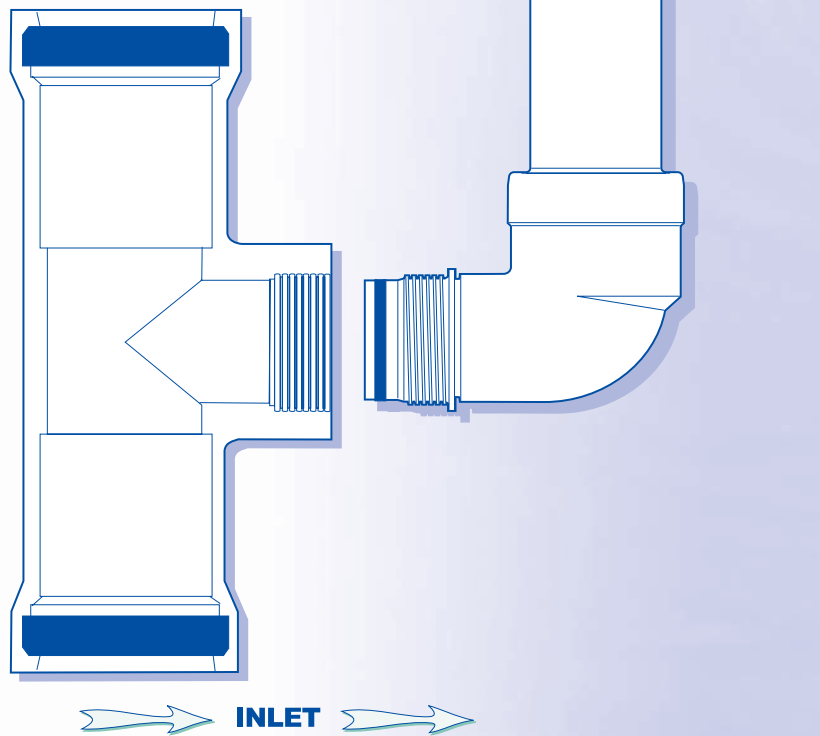
2 1/2" HARCO SWING JOINT TEE UNIBODY

INLETS

2 1/2" INLET HARCO SWING JOINT TEE



- No chance of overtightening threaded service tee fitting.
- No solvent welding required.
- A proven method, improved.












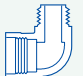
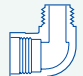
"QUALITY BY DESIGN"

2 1/2" HARCO SWING JOINT TEE UNIBODY

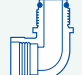
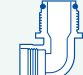
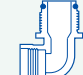
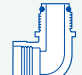

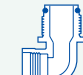
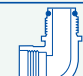

OUTLETS

IPS STANDARD Iron Pipe Size Standard







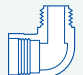
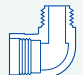
 1 FS x Socket 1" or 1 1/4" or 1 1/2"	 2 FS x Fipt 1" or 1 1/4" or 1 1/2"	 3 FS x Mipt 1" or 1 1/4" or 1 1/2"
 4 1" FS x 1 1/4" Mipt	 5 1" FS x 1 1/2" Mipt	 6 1 1/4" FS x 1 1/2" Mipt
 7 1 1/4" FS x 1" Mipt	 8 1 1/2" FS x 1" Mipt	 9 1 1/2" FS x 1 1/4" Mipt
10	11	12

ACME OUTLETS

 13 1" FS x 1" Acme	 14 1" FS x 1 1/4" Acme	 15 1" FS x 1 1/2" Acme
 16 1 1/4" FS x 1" Acme	 17 1 1/4" FS x 1 1/4" Acme	 18 1 1/4" FS x 1 1/2" Acme
19	 20 1 1/2" FS x 1 1/4" Acme	 21 1 1/2" FS x 1 1/2" Acme

BSPT

British Standard Pipe (Tapered Thread)

 22 FS x BSPT 1" or 1 1/4" or 1 1/2"	 23 1" FS x 1 1/4" BSPT	 24 1" FS x 1 1/2" BSPT
 25 1 1/4" FS x 1 1/2" BSPT	 26 1 1/4" FS x 1" BSPT	 27 1 1/2" FS x 1 1/4" BSPT

LAY LENGTH	LAY LENGTH ORDER CODE
INCH	
6"	6
8"	8
10"	10
12"	12
14"	14
16"	16
18"	18

*Quick Coupler Outlets available. Contact Dura's Sales Department for part numbers and pricing.

NOTE: Also available with the ultra unibody. Substitute the #18 in step 4. Ultra unibody swing joints are packaged 10 per box.

INCH SIZE	METRIC JIS SIZE	PART NUMBER	BOX QTY
1"	25mm	1 - _____ - _____ - 17 - _____	10
1 1/4"	30mm	2 - _____ - _____ - 17 - _____	10
1 1/2"	40mm	3 - _____ - _____ - 17 - _____	10

SIZE - STEP 1

INLET - STEP 2

LAY LENGTH - STEP 5

2 1/2" HARCO SWING JOINT TEE UNIBODY - STEP 4

OUTLET - STEP 3

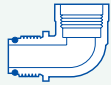
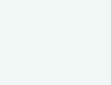
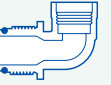
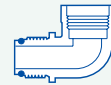
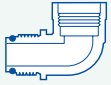
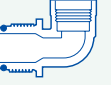
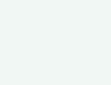
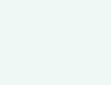
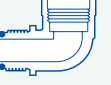


"QUALITY BY DESIGN"

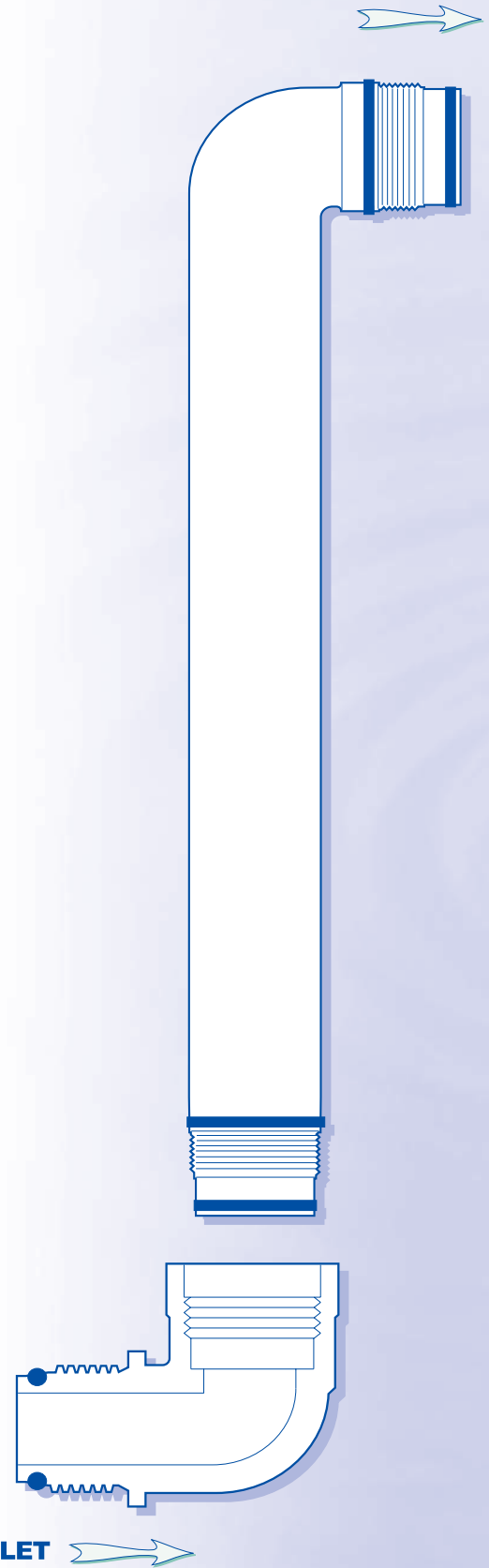
ACME BASE STANDARD UNIBODY

INLETS

ACME INLETS

 1" Acme x 1" FS		 1" Acme x 1 1/2" FS
 1" Acme x 1 1/4" FS	 1 1/4" Acme x 1 1/4" FS	 1 1/2" Acme x 1 1/4" FS
		 1 1/2" Acme x 1 1/2" FS

All Swing joint components are double O-ring sealed



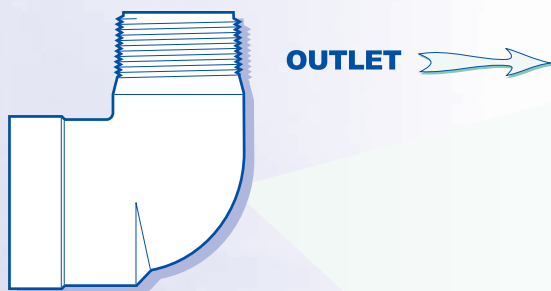








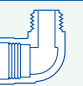
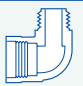

"QUALITY BY DESIGN"

ACME BASE STANDARD UNIBODY

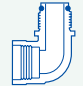
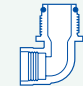
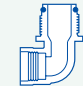
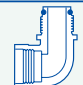

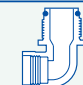
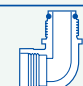
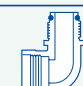
OUTLETS

IPS STANDARD Iron Pipe Size Standard









 1 FS x Socket 1" or 1 1/4" or 1 1/2"	 2 FS x Fipt 1" or 1 1/4" or 1 1/2"	 3 FS x Mipt 1" or 1 1/4" or 1 1/2"
 4 1" FS x 1 1/4" Mipt	 5 1" FS x 1 1/2" Mipt	 6 1 1/4" FS x 1 1/2" Mipt
 7 1 1/4" FS x 1" Mipt	 8 1 1/2" FS x 1" Mipt	 9 1 1/2" FS x 1 1/4" Mipt
10	11	12

ACME OUTLETS

 13 1" FS x 1" Acme	 14 1" FS x 1 1/4" Acme	 15 1" FS x 1 1/2" Acme
 16 1 1/4" FS x 1" Acme	 17 1 1/4" FS x 1 1/4" Acme	 18 1 1/4" FS x 1 1/2" Acme
19	 20 1 1/2" FS x 1 1/4" Acme	 21 1 1/2" FS x 1 1/2" Acme

BSPT

British Standard Pipe (Tapered Thread)

 22 FS x BSPT 1" or 1 1/4" or 1 1/2"	 23 1" FS x 1 1/4" BSPT	 24 1" FS x 1 1/2" BSPT
 25 1 1/4" FS x 1 1/2" BSPT	 26 1 1/4" FS x 1" BSPT	 27 1 1/2" FS x 1 1/4" BSPT

LAY LENGTH	LAY LENGTH ORDER CODE
INCH	
6"	6
8"	8
10"	10
12"	12
14"	14
16"	16
18"	18

*Quick Coupler Outlets available. Contact Dura's Sales Department for part numbers and pricing.

NOTE: Also available with the ultra unibody. Substitute the #16 in step 4. Ultra unibody swing joints are packaged 10 per box.

INCH SIZE	METRIC JIS SIZE	PART NUMBER	BOX QTY
1"	25mm	1 - _____ - _____ - 15 - _____	20
1 1/4"	30mm	2 - _____ - _____ - 15 - _____	20
1 1/2"	40mm	3 - _____ - _____ - 15 - _____	20

SIZE - STEP 1

INLET - STEP 2

LAY LENGTH - STEP 5

ACME BASE STANDARD UNIBODY - STEP 4

OUTLET - STEP 3



"QUALITY BY DESIGN"

O-RING ELL UNIBODY

INLETS

IPS STANDARD Iron Pipe Size Standard

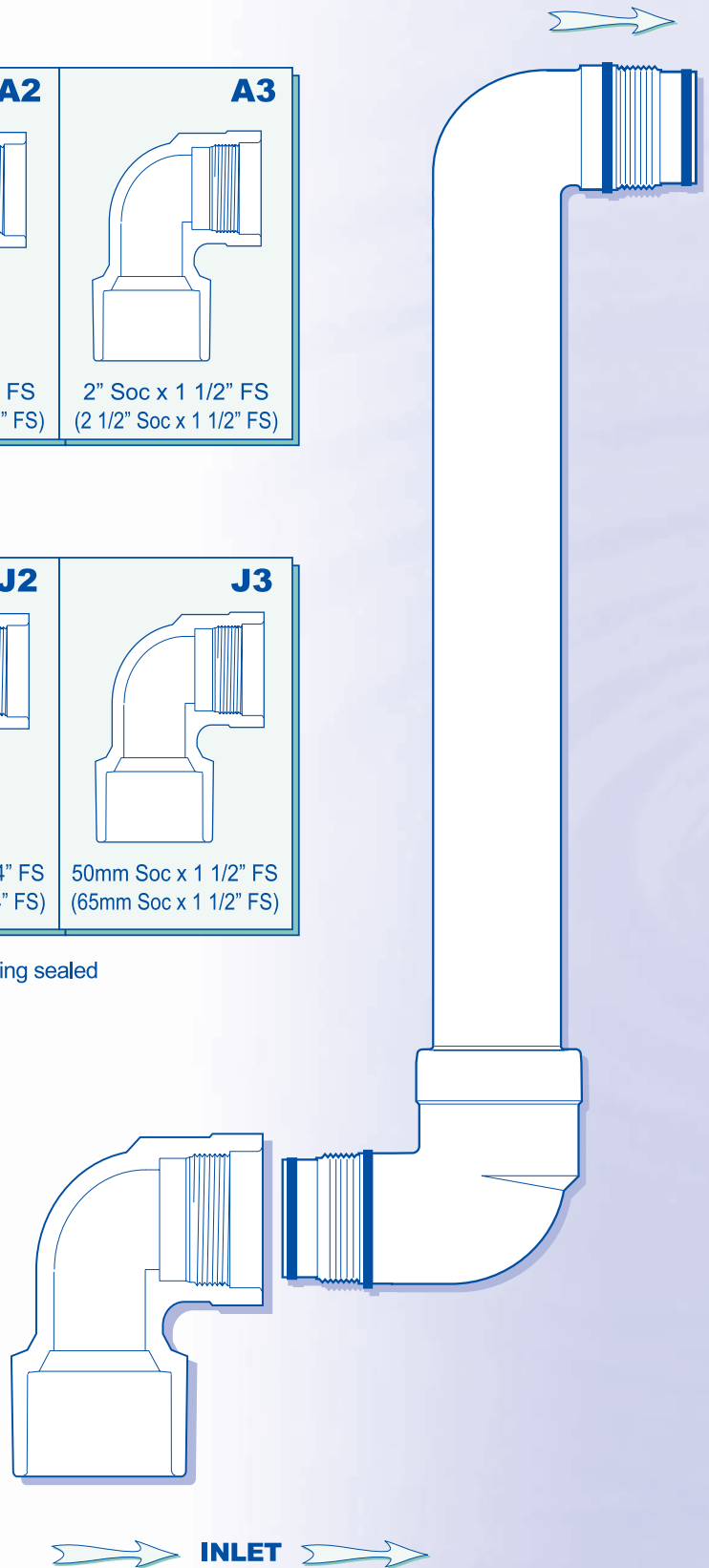
A1	A2	A3
2" Soc x 1" FS (2 1/2" Soc x 1" FS)	2" Soc x 1 1/4" FS (2 1/2" Soc x 1 1/4" FS)	2" Soc x 1 1/2" FS (2 1/2" Soc x 1 1/2" FS)

JIS STANDARD Japanese Industrial Standard

J1	J2	J3
50mm Soc x 1" FS (65mm Soc x 1" FS)	50mm Soc x 1 1/4" FS (65mm Soc x 1 1/4" FS)	50mm Soc x 1 1/2" FS (65mm Soc x 1 1/2" FS)

All Swing joint components are double O-ring sealed

- D3139 rated 315psi
Double O-ring sealed inlet connection.
- Eliminates overtightening.
- Eliminates need for Teflon tape or paste.









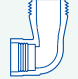
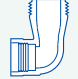
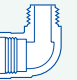


"QUALITY BY DESIGN"

O-RING ELL UNIBODY

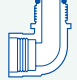
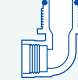
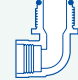
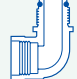
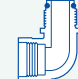
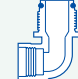
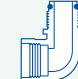
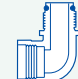
OUTLETS

IPS STANDARD Iron Pipe Size Standard



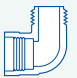




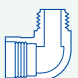
 1 FS x Socket 1" or 1 1/4" or 1 1/2"	 2 FS x Fipt 1" or 1 1/4" or 1 1/2"	 3 FS x Mipt 1" or 1 1/4" or 1 1/2"
 4 1" FS x 1 1/4" Mipt	 5 1" FS x 1 1/2" Mipt	 6 1 1/4" FS x 1 1/2" Mipt
 7 1 1/4" FS x 1" Mipt	 8 1 1/2" FS x 1" Mipt	 9 1 1/2" FS x 1 1/4" Mipt
10	11	12

ACME OUTLETS

 13 1" FS x 1" Acme	 14 1" FS x 1 1/4" Acme	 15 1" FS x 1 1/2" Acme
 16 1 1/4" FS x 1" Acme	 17 1 1/4" FS x 1 1/4" Acme	 18 1 1/4" FS x 1 1/2" Acme
19	 20 1 1/2" FS x 1 1/4" Acme	 21 1 1/2" FS x 1 1/2" Acme

BSPT

British Standard Pipe (Tapered Thread)

 22 FS x BSPT 1" or 1 1/4" or 1 1/2"	 23 1" FS x 1 1/4" BSPT	 24 1" FS x 1 1/2" BSPT
 25 1 1/4" FS x 1 1/2" BSPT	 26 1 1/4" FS x 1" BSPT	 27 1 1/2" FS x 1 1/4" BSPT

LAY LENGTH		LAY LENGTH ORDER CODE
INCH	METRIC	
6"	152mm	6
8"	203mm	8
10"	254mm	10
12"	305mm	12
14"	356mm	14
16"	407mm	16
18"	458mm	18

*Quick Coupler Outlets available. Contact Dura's Sales Department for part numbers and pricing.

NOTE: Also available with the ultra unibody. Substitute the #8 in step 4
Ultra unibody swing joints are packaged 10 per box.

INCH SIZE	METRIC JIS SIZE	PART NUMBER	BOX QTY
1"	25mm	1 - _____ - _____ - 7 - _____	10
1 1/4"	30mm	2 - _____ - _____ - 7 - _____	10
1 1/2"	40mm	3 - _____ - _____ - 7 - _____	10

SIZE - STEP 1

INLET - STEP 2

LAY LENGTH - STEP 5

O-RING ELL STANDARD UNIBODY - STEP 4

OUTLET - STEP 3



"QUALITY BY DESIGN"

CONSTANT PRESSURE SWING JOINT

CONSTANT PRESSURE SWING JOINT

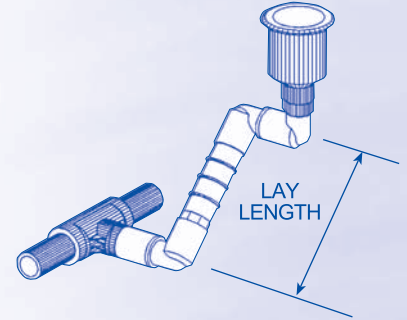
PART NUMBER	UPC CODE	DESCRIPTION	LAY LENGTH	BOX QTY.
E005-4	23240	1/2" Spg x 1/2" Mipt	4 3/4"	25
E005-10	23241	1/2" Spg x 1/2" Mipt	10 3/4"	25
E005-12	23242	1/2" Spg x 1/2" Mipt	12 3/4"	25

PART NUMBER	UPC CODE	DESCRIPTION	LAY LENGTH	BOX QTY.
E006-4	23201	1/2" Mipt x 1/2" Mipt	4 3/4"	25
E006-10	23202	1/2" Mipt x 1/2" Mipt	10 3/4"	25
E006-12	23203	1/2" Mipt x 1/2" Mipt	12 3/4"	25

PART NUMBER	UPC CODE	DESCRIPTION	LAY LENGTH	BOX QTY.
E007-4	23250	3/4" Spg x 3/4" Mipt	4 3/4"	25
E007-8	23251	3/4" Spg x 3/4" Mipt	8 3/4"	25
E007-10	23252	3/4" Spg x 3/4" Mipt	10 3/4"	25
E007-12	23253	3/4" Spg x 3/4" Mipt	12 3/4"	25

PART NUMBER	UPC CODE	DESCRIPTION	LAY LENGTH	BOX QTY.
E008-4	23204	3/4" Mipt x 3/4" Mipt	4 3/4"	25
E008-8	23205	3/4" Mipt x 3/4" Mipt	8 3/4"	25
E008-10	23206	3/4" Mipt x 3/4" Mipt	10 3/4"	25
E008-12	23207	3/4" Mipt x 3/4" Mipt	12 3/4"	25

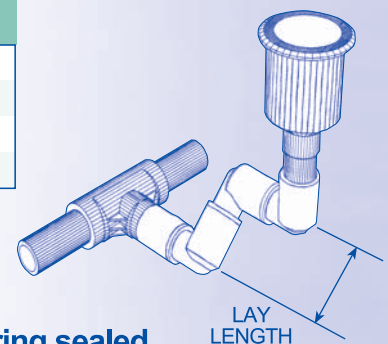
All outlets above are available in Mipt only.



COMPACT/CONSTANT PRESSURE SWING JOINT

PART NUMBER	UPC CODE	DESCRIPTION	LAY LENGTH	BOX QTY.
E005-0	23260	1/2" Spg x 1/2" Fipt	2 1/4"	100
E006-0	23208	1/2" Mipt x 1/2" Fipt	2 1/4"	100
E007-0	23261	3/4" Spg x 3/4" Fipt	2 1/2"	75
E008-0	23209	3/4" Mipt x 3/4" Fipt	2 1/2"	75

All outlets above are available in Fipt only.



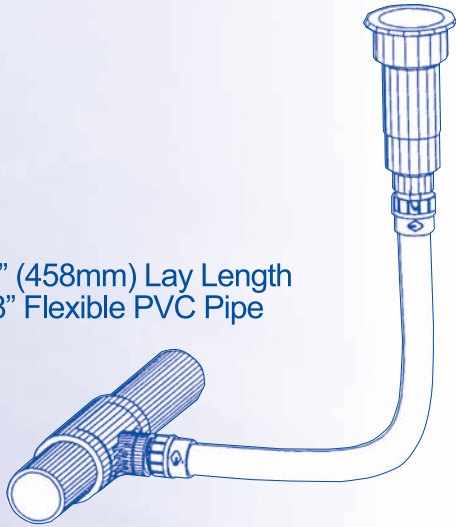
All Constant Pressure Swing Joints are single O-ring sealed.

For a description of component abbreviations, see page 3.

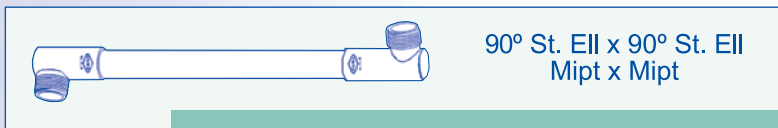


"QUALITY BY DESIGN"

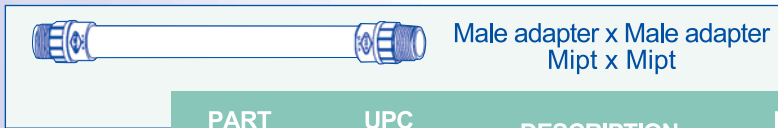
- 18" (458mm) Lay Length
- 3/8" Flexible PVC Pipe



- For ease in head positioning in residential and light commercial landscape projects.
- Eliminates riser and sprinkler breakage.
- 95% more flexibility than funny pipe which allows for kink-free operation.
- Easily bends around rocks and under roots
- Save time - no assembly required.



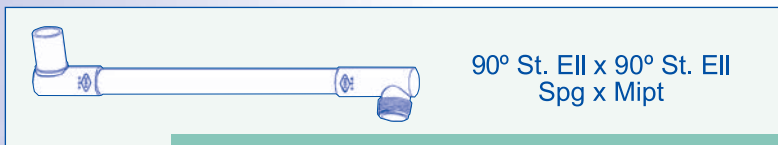
PART NUMBER	UPC CODE	DESCRIPTION	BUNDLE QTY.	BOX QTY.
FSM005	23300	1/2" x 1/2"	10	100
FSM007	23303	3/4" x 3/4"	10	100
FSM074	23301	1/2" x 3/4"	10	100
FSM075	23302	1/2" x 1"	10	100



PART NUMBER	UPC CODE	DESCRIPTION	BUNDLE QTY.	BOX QTY.
FMM005	23305	1/2" x 1/2"	10	100
FMM007	23307	3/4" x 3/4"	10	100
FMM074	23306	1/2" x 3/4"	10	100



PART NUMBER	UPC CODE	DESCRIPTION	BUNDLE QTY.	BOX QTY.
FME005	23308	1/2" x 1/2"	10	100
FME007	23310	3/4" x 3/4"	10	100
FME074	23309	1/2" x 3/4"	10	100



PART NUMBER	UPC CODE	DESCRIPTION	BUNDLE QTY.	BOX QTY.
FSS005	23311	1/2" x 1/2"	10	100
FSS007	23314	3/4" x 3/4"	10	100
FSS074	23312	1/2" x 3/4"	10	100
FSS075	23313	1/2" x 1"	10	100

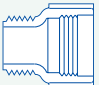
PRE-ASSEMBLED
FLEXIBLE SWING JOINT

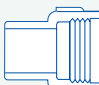


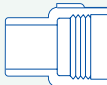
“QUALITY BY DESIGN”


INLET REPLACEMENTS


NO MINIMUM QUANTITY REQUIREMENTS ON REPLACEMENT PARTS

	PART NUMBER	SIZE	QTY.
Mipt x FS	887-010	1"	1
	887-012	1 1/4"	1
	887-015	1 1/2"	1

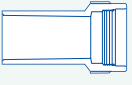
	PART NUMBER	SIZE	QTY.
25mm Spg x FS	J88-010	25mm	1
	J88-012	30mm	1
	J88-015	40mm	1

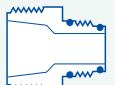
	PART NUMBER	SIZE	QTY.
Spg x FS	888-010	1"	1
	888-012	1 1/4"	1
	888-015	1 1/2"	1


	PART NUMBER	SIZE	QTY.
25mm Soc x FS	J89-010	25mm	1
	J89-012	30mm	1
	J89-015	40mm	1

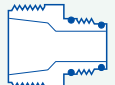
	PART NUMBER	SIZE	QTY.
2" Spg x 1 1/2" FS	888-251	●	1

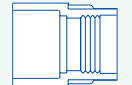
	PART NUMBER	SIZE	QTY.
Mipt x MS	486-010	1"	1
	486-012	1 1/4"	1
	486-015	1 1/2"	1

	PART NUMBER	SIZE	QTY.
4" Spg x FS	885-010	1"	1
	885-012	1 1/4"	1
	885-015	1 1/2"	1

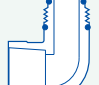
	PART NUMBER	SIZE	QTY.
1 1/4" Mipt x 1" MS	486-132	●	1

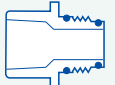
	PART NUMBER	SIZE	QTY.
Socket x FS	889-010	1"	1
	889-012	1 1/4"	1
	889-015	1 1/2"	1


	PART NUMBER	SIZE	QTY.
1 1/2" Mipt x 1" MS	486-133	●	1


	PART NUMBER	SIZE	QTY.
2" Soc x 1 1/2" FS	889-251	●	1

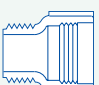
	PART NUMBER	SIZE	QTY.
Spigot x MS	485-010	1"	1
	485-012	1 1/4"	1
	485-015	1 1/2"	1

	PART NUMBER	SIZE	QTY.
Socket x MS	894-010	1"	1
	894-012	1 1/4"	1
	894-015	1 1/2"	1


	PART NUMBER	SIZE	QTY.
1 1/4" Spg x 1" MS	485-132	●	1

	PART NUMBER	SIZE	QTY.
FS x FS	483-010	1"	1
	483-012	1 1/4"	1
	483-015	1 1/2"	1


	PART NUMBER	SIZE	QTY.
1 1/2" Spg x 1" MS	485-133	●	1


	PART NUMBER	SIZE	QTY.
BSPT x FS	BS87-010	1"	1
	BS87-012	1 1/4"	1
	BS87-015	1 1/2"	1

	PART NUMBER	SIZE	QTY.
Socket x MS	484-010	1"	1
	484-012	1 1/4"	1
	484-015	1 1/2"	1

	PART NUMBER	SIZE	QTY.
Spg x FS	M88-010	32mm	1
	M88-012	40mm	1
	M88-015	50mm	1

	PART NUMBER	SIZE	QTY.
BSPT x MS	BS86-010	1"	1
	BS86-012	1 1/4"	1
	BS86-015	1 1/2"	1

	PART NUMBER	SIZE	QTY.
Soc x FS	M89-010	32mm	1
	M89-012	40mm	1
	M89-015	50mm	1

	PART NUMBER	SIZE	QTY.
1 1/4" BSPT x 1" MS	BS86-132	●	1

For a description of component abbreviations, see page 3. O-rings included for all replacement parts

ONLY SWING JOINT COMPONENT DISCOUNTS APPLY



"QUALITY BY DESIGN"

INLET REPLACEMENTS

	PART NUMBER	SIZE	QTY.
 1 1/2" BSPT x 1" MS	BS86-133	•	1

	PART NUMBER	SIZE	QTY.
 Acme x FS	A90-015	1 1/2"	1

	PART NUMBER	SIZE	QTY.
 Spigot x MS	M85-010	32mm	1
	M85-012	40mm	1
	M85-015	50mm	1

	PART NUMBER	SIZE	QTY.
 2" Soc x FS	481-249	1"	1
	481-250	1 1/4"	1
	481-251	1 1/2"	1

	PART NUMBER	SIZE	QTY.
 Soc. x MS	M84-010	32mm	1
	M84-012	40mm	1
	M84-015	50mm	1

	PART NUMBER	SIZE	QTY.
 50mm Soc x FS	J81-249	1"	1
	J81-250	1 1/4"	1
	J81-251	1 1/2"	1

	PART NUMBER	SIZE	QTY.
 IPS x FS	470-010	1"	1
	470-012	1 1/4"	1
	470-015	1 1/2"	1

	PART NUMBER	SIZE	QTY.
 Soc x MS	M94-010	32mm	1
	M94-012	40mm	1
	M94-015	50mm	1

	PART NUMBER	SIZE	QTY.
 63mm x FS	471-010	1"	1
	471-012	1 1/4"	1
	471-015	1 1/2"	1

	PART NUMBER	SIZE	QTY.

	PART NUMBER	SIZE	QTY.
 2" Soc x 2" Soc x FS	480-249	1"	1
	480-250	1 1/4"	1
	480-251	1 1/2"	1

	PART NUMBER	SIZE	QTY.

	PART NUMBER	SIZE	QTY.
 50mm Soc x 50mm Soc x FS	J80-249	1"	1
	J80-250	1 1/4"	1
	J80-251	1 1/2"	1

	PART NUMBER	SIZE	QTY.

	PART NUMBER	SIZE	QTY.
 1" Acme x 1" FS	A90-010	•	1

	PART NUMBER	SIZE	QTY.

	PART NUMBER	SIZE	QTY.
 1" Acme x 1 1/4" FS	A90-168	•	1

	PART NUMBER	SIZE	QTY.

	PART NUMBER	SIZE	QTY.
 1 1/2" Acme x 1" FS	A90-133	•	1

	PART NUMBER	SIZE	QTY.

	PART NUMBER	SIZE	QTY.
 1 1/2" Acme x 1 1/4" FS	A90-169	•	1

	PART NUMBER	SIZE	QTY.

For a description of component abbreviations, see page 3. O-rings included for all replacement parts

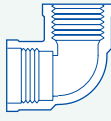
ONLY SWING JOINT COMPONENT DISCOUNTS APPLY

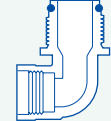


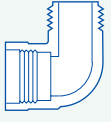
"QUALITY BY DESIGN"

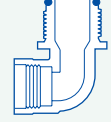
OUTLET REPLACEMENTS

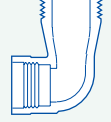
NO MINIMUM QUANTITY REQUIREMENTS ON REPLACEMENT PARTS

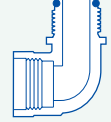
	PART NUMBER	SIZE	QTY.
FS X Fipt	482-010	1"	1
	482-012	1 1/4"	1
	482-015	1 1/2"	1

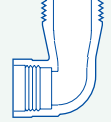
	PART NUMBER	SIZE	QTY.
1" FS x 1 1/4" Acme	A90-132	●	1

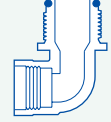
	PART NUMBER	SIZE	QTY.
FS x Mipt	890-010	1"	1
	890-012	1 1/4"	1
	890-015	1 1/2"	1

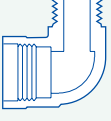
	PART NUMBER	SIZE	QTY.
1" FS x 1 1/4" Acme	A90-133	●	1

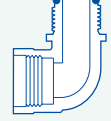
	PART NUMBER	SIZE	QTY.
1" FS x 1 1/4" Mipt	890-132	●	1

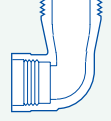
	PART NUMBER	SIZE	QTY.
1 1/4" FS x 1" Acme	A90-168	●	1

	PART NUMBER	SIZE	QTY.
1" FS x 1 1/2" Mipt	890-133	●	1

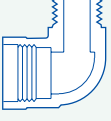
	PART NUMBER	SIZE	QTY.
1 1/4" FS x 1 1/2" Acme	A90-169	●	1

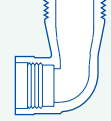
	PART NUMBER	SIZE	QTY.
1 1/4" FS x 1" Mipt	890-168	●	1

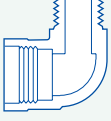
	PART NUMBER	SIZE	QTY.
1 1/2" FS x 1 1/4" Acme	A90-212	●	1

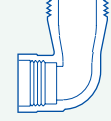
	PART NUMBER	SIZE	QTY.
1 1/4" FS x 1 1/2" Mipt	890-169	●	1

	PART NUMBER	SIZE	QTY.
FS x BSPT	BS90-010	1"	1
	BS90-012	1 1/4"	1
	BS90-015	1 1/2"	1

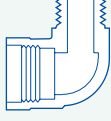
	PART NUMBER	SIZE	QTY.
1 1/2" FS x 1" Mipt	890-211	●	1

	PART NUMBER	SIZE	QTY.
1" FS x 1 1/4" BSPT	BS90-132	●	1

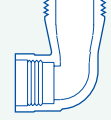
	PART NUMBER	SIZE	QTY.
1 1/2" FS x 1 1/4" Mipt	890-212	●	1

	PART NUMBER	SIZE	QTY.
1" FS x 1 1/2" BSPT	BS90-133	●	1

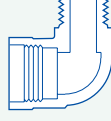
	PART NUMBER	SIZE	QTY.
FS x MS	891-010	1"	1
	891-012	1 1/4"	1
	891-015	1 1/2"	1

	PART NUMBER	SIZE	QTY.
1 1/4" FS x 1" BSPT	BS90-168	●	1

	PART NUMBER	SIZE	QTY.
FS x Socket	481-010	1"	1
	481-012	1 1/4"	1
	481-015	1 1/2"	1

	PART NUMBER	SIZE	QTY.
1 1/4" FS x 1 1/2" BSPT	BS90-169	●	1

	PART NUMBER	SIZE	QTY.
FS x Acme	A90-010	1"	1
	A90-012	1 1/4"	1
	A90-015	1 1/2"	1

	PART NUMBER	SIZE	QTY.
1 1/2" FS x 1 1/4" BSPT	BS90-212	●	1

For a description of component abbreviations, see page 3. O-rings included for all replacement parts

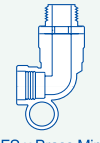
ONLY SWING JOINT COMPONENT DISCOUNTS APPLY

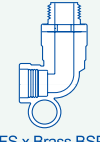
NO MINIMUM QUANTITY REQUIREMENTS ON REPLACEMENT PARTS



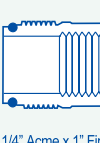
"QUALITY BY DESIGN"

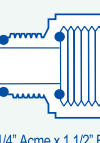
OUTLET REPLACEMENTS

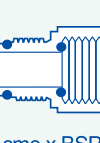
 FS x Brass Mipt	PART NUMBER	SIZE	QTY.
	Q90-010	1"	1
Q90-015	1 1/2"	1	

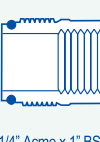
 FS x Brass BSP	PART NUMBER	SIZE	QTY.
	BSQ90-010	1"	1

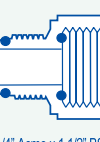
 Acme x Fipt	PART NUMBER	SIZE	QTY.
	OA39-010	1"	1
	OA39-012	1 1/4"	1
	OA39-015	1 1/2"	1

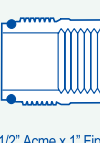
 1 1/4" Acme x 1" Fipt	PART NUMBER	SIZE	QTY.
	OA39-168	•	1

 1 1/4" Acme x 1 1/2" Fipt	PART NUMBER	SIZE	QTY.
	OA39-169	•	1

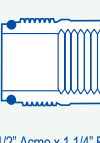
 Acme x BSPT	PART NUMBER	SIZE	QTY.
	OBA39-010	1"	1
	OBA39-012	1 1/4"	1
	OBA39-015	1 1/2"	1

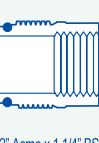
 1 1/4" Acme x 1" BSPT	PART NUMBER	SIZE	QTY.
	OBA39-168	•	1

 1 1/4" Acme x 1 1/2" BSPT	PART NUMBER	SIZE	QTY.
	OBA39-169	•	1

 1 1/2" Acme x 1" Fipt	PART NUMBER	SIZE	QTY.
	OA39-211	•	1
Two-piece part			

 1 1/2" Acme x 1" BSPT	PART NUMBER	SIZE	QTY.
	OBA39-211	•	1
Two-piece part			

 1 1/2" Acme x 1 1/4" Fipt	PART NUMBER	SIZE	QTY.
	OA39-212	•	1
Two-piece part			

 1 1/2" Acme x 1 1/4" BSPT	PART NUMBER	SIZE	QTY.
	OBA39-212	•	1
Two-piece part			

PART NUMBER	SIZE	QTY.

PART NUMBER	SIZE	QTY.

PART NUMBER	SIZE	QTY.

PART NUMBER	SIZE	QTY.

PART NUMBER	SIZE	QTY.

PART NUMBER	SIZE	QTY.

PART NUMBER	SIZE	QTY.

PART NUMBER	SIZE	QTY.

PART NUMBER	SIZE	QTY.

PART NUMBER	SIZE	QTY.

For a description of component abbreviations, see page 3. O-rings included for all replacement parts

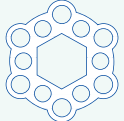
ONLY SWING JOINT COMPONENT DISCOUNTS APPLY

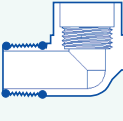


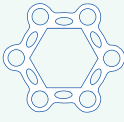
"QUALITY BY DESIGN"


NO MINIMUM QUANTITY REQUIREMENTS ON REPLACEMENT PARTS


REPLACEMENT PARTS


	PART NUMBER	SIZE	QTY.
 1" Dura Quick Lock	DL-010	•	1


	PART NUMBER	SIZE	QTY.
 3/4" MS x 3/4" Fipt	492-007	•	1


	PART NUMBER	SIZE	QTY.
 1 1/2" Dura Quick Lock	DL-015	•	1


	PART NUMBER	SIZE	QTY.
 1/2" x 4"	08107	•	1


	PART NUMBER	SIZE	QTY.
 1/2" Spg x 1/2" FS	488-005	•	1


	PART NUMBER	SIZE	QTY.
 1/2" x 10"	08119	•	1


	PART NUMBER	SIZE	QTY.
 1/2" Mipt x 1/2" FS	487-005	•	1


	PART NUMBER	SIZE	QTY.
 1/2" x 12"	08123	•	1


	PART NUMBER	SIZE	QTY.
 1/2" Mipt x 1/2" FS	490-005	•	1

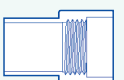
	PART NUMBER	SIZE	QTY.
 3/4" x 4"	08207	•	1


	PART NUMBER	SIZE	QTY.
 1/2" MS x 1/2" FS	491-005	•	1

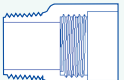
	PART NUMBER	SIZE	QTY.
 3/4" x 8"	08215	•	1

	PART NUMBER	SIZE	QTY.
 1/2" MS x 1/2" Fipt	492-005	•	1


	PART NUMBER	SIZE	QTY.
 3/4" x 10"	08219	•	1

	PART NUMBER	SIZE	QTY.
 3/4" Spg x 3/4" FS	488-007	•	1


	PART NUMBER	SIZE	QTY.
 3/4" x 12"	08223	•	1

	PART NUMBER	SIZE	QTY.
 3/4" Mipt x 3/4" FS	487-007	•	1

	PART NUMBER	SIZE	QTY.

	PART NUMBER	SIZE	QTY.
 3/4" Mipt x 3/4" FS	490-007	•	1

	PART NUMBER	SIZE	QTY.

	PART NUMBER	SIZE	QTY.
 3/4" MS x 3/4" FS	491-007	•	1

	PART NUMBER	SIZE	QTY.



"QUALITY BY DESIGN"



UNIBODY LIST PRICE EACH			
LAY LENGTH	1" PART #	1 1/4" PART #	1 1/2" PART #
6"	1-UB-6	2-UB-6	3-UB-6
8"	1-UB-8	2-UB-8	3-UB-8
10"	1-UB-10	2-UB-10	3-UB-10
12"	1-UB-12	2-UB-12	3-UB-12
14"	1-UB-14	2-UB-14	3-UB-14
16"	1-UB-16	2-UB-16	3-UB-16
18"	1-UB-18	2-UB-18	3-UB-18

O-RINGS

SIZE	OUTER	INNER
1"	122	125
1 1/4"	127	130
1 1/2"	131	134

ACME OUTLET O-RINGS

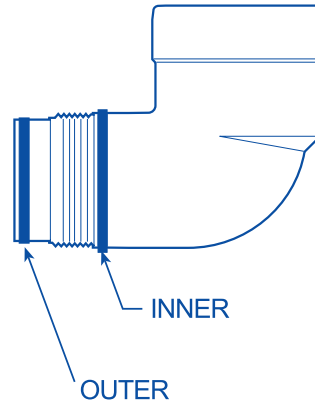
SIZE	O-RING NUMBER
1"	120
1 1/4"	127
1 1/2"	129

SADDLE INLET O-RINGS

SIZE	O-RING NUMBER
1"	323
1 1/4"	326
1 1/2"	326

ACME ADAPTER O-RINGS

SIZE	OUTER	INNER
1"	119	120
1 1/4"	125	121
1 1/2"	128	121

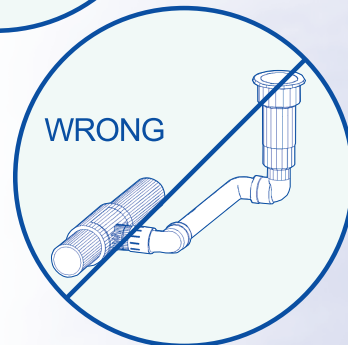
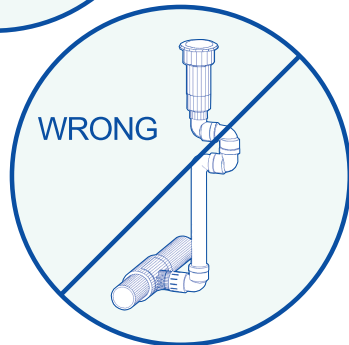
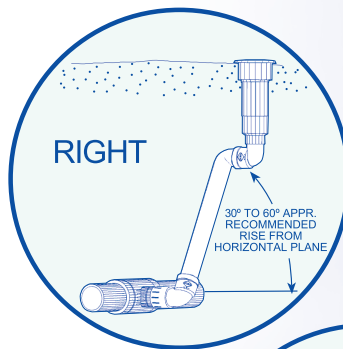
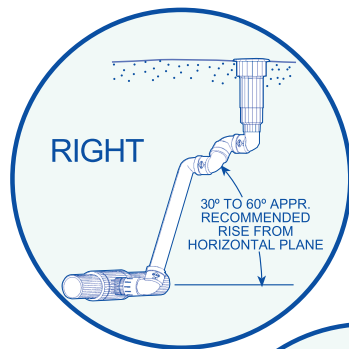


REPLACEMENT PARTS



"QUALITY BY DESIGN"

INSTALLATION INSTRUCTIONS



ULTRA UNIBODY

STANDARD UNIBODY

Please read all instructions before installing swing joints

Do not disassemble the parts that come pre-assembled.

Do not use pipe joint compound or tape in the sealed components.

Always hand tighten O-Ring seal until male part is bottomed out then back off male part one complete revolution.

On all solvent weld joints, prime and glue according to solvent manufacturer's recommendations. (CAUTION: keep primer and solvent away from all O-Ring sealing surfaces.)

Dura recommends installation at 30° to 60° rise from the horizontal plane. Prior to final installation and backfill, check all swing components to insure that no O-Rings are exposed. If any O-Rings are exposed, readjust the component to eliminate this exposure.

System Start-up

This procedure is recommended for new installations, after repairs, and in the spring if the system was drained for winterization.

1. Bleed all air from system while filling. Do not compress air and then relieve.
2. Fill system at a velocity fill rate based on pipe size and rates shown in the table.

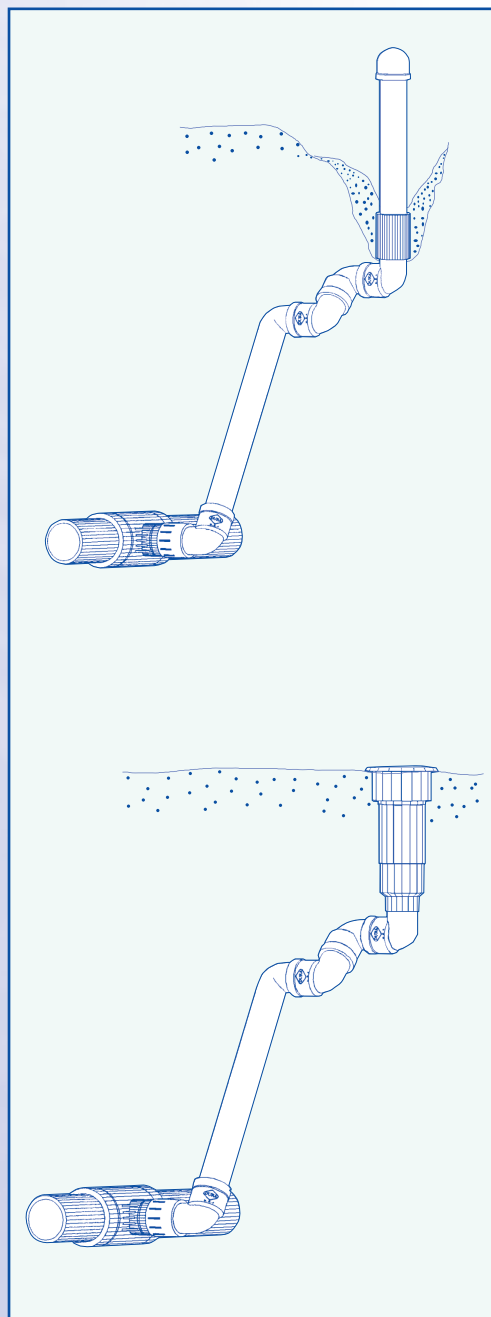
WARNING: Failure to comply with procedure can result in a "water hammer" effect which can cause damage to system components and possible injury to personnel.

Pipe Size	Gallons/Minute	Velocity (Ft/Second)
1/2"	2	1.60
3/4"	3	1.92
1"	5	1.50
1 1/4"	10	1.86
1 1/2"	10	1.41
2"	20	1.80
2 1/2"	30	1.84
3"	45	1.86
4"	75	1.87
6"	150	1.73
8"	250	1.70
10"	450	1.97
12"	500	1.55



"QUALITY BY DESIGN"

INSTALLATION INSTRUCTIONS



INSTALLATION STEP 1:

- To avoid possible damage to swing joint components by direct sunlight or high temperatures, store in a cool, shady place.
- Upon installation, **immediately** fill ditch around swing joint with native soil.
- If sprinkler head is not affixed, set up a standby unit as shown at left.

INSTALLATION STEP 2:

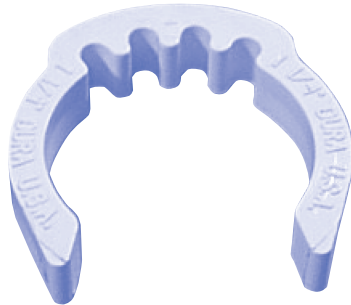
- Remove standby unit and install the sprinkler head.
- Finish backfilling and adjust to grade.



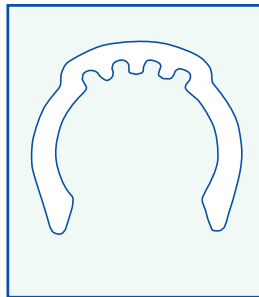
"QUALITY BY DESIGN"

WIRE HOLDER CLIP

WIRE HOLDER CLIP



- HOLD CONTROL VALVE WIRING IN PLACE
- HOLDS 4 WIRES #12 OR #14 GAUGE
- EASY SNAP ON INSTALLATION



PART NUMBER	UPC CODE	SWING JOINT SIZE	BOX QTY.
1WH	00505	1"	1 SET
2WH	00506	1 1/4"	1 SET
3WH	00507	1 1/2"	1 SET

SWING JOINT REPLACEMENT COMPONENT MULTIPLIER APPLIES

1 SET = 2 PIECES





"QUALITY BY
DESIGN"

SWING JOINTS

A large rectangular area containing horizontal blue lines, designed for taking notes or additional information.

NOTES





"QUALITY BY DESIGN"

SWING JOINTS

A large rectangular area with horizontal blue lines, intended for taking notes.

NOTES



DURA WAREHOUSES

① CORPORATE

OFFICE (951)845-3161 FAX (951) 845-7644

② PERRY, GA

OFFICE (478) 988-0282
FAX (478) 987-7003

④ FRACKVILLE, PA

OFFICE (570) 874-4651
FAX (570) 874-4652

⑥ SALT LAKE CITY, UT

OFFICE (801) 973-9442
FAX (801) 973-9258

③ BURLINGTON, IA

OFFICE (319) 758-9060
FAX (319) 758-9058
TOLL FREE (800) 758-9060

⑤ CARROLLTON, TX

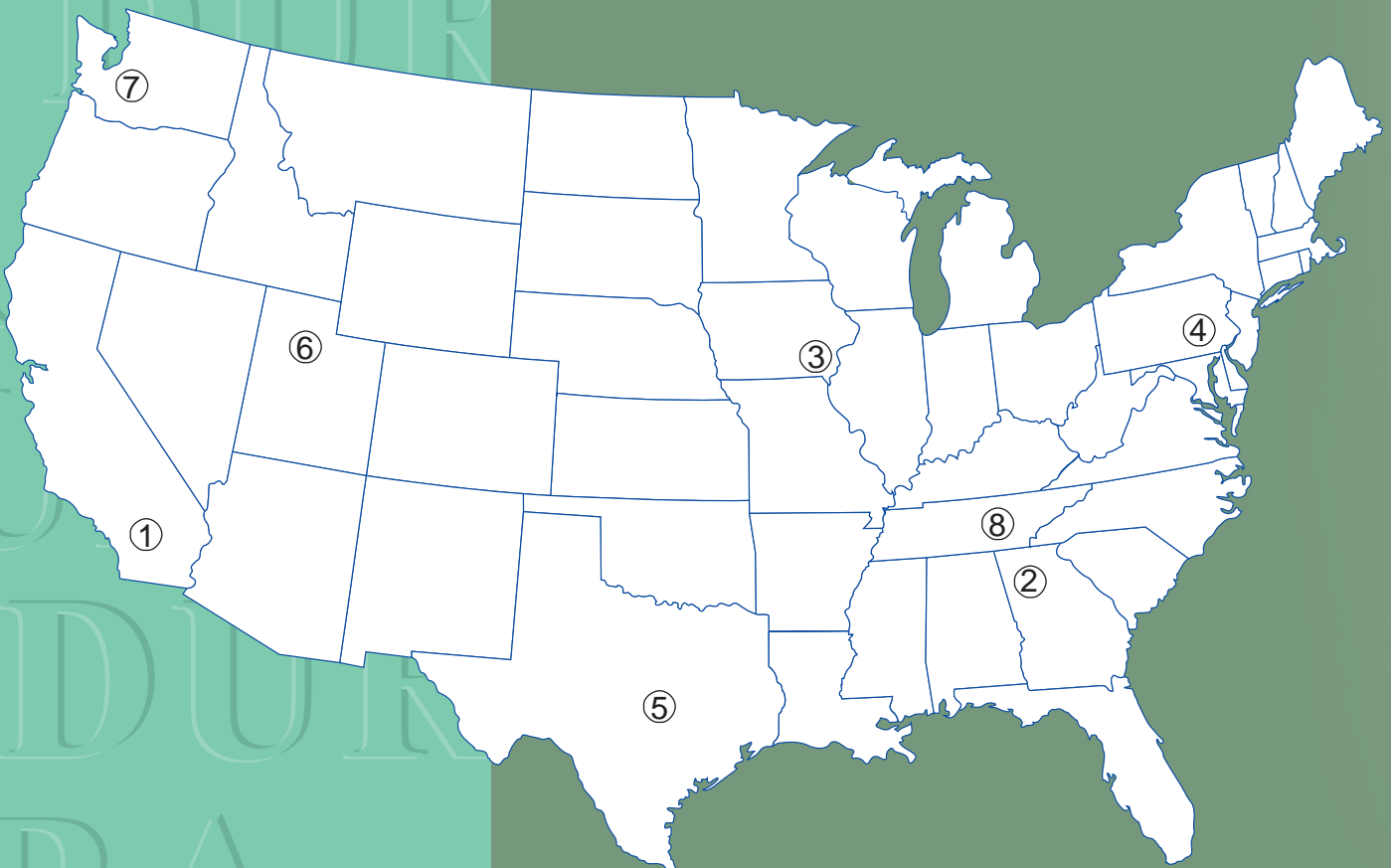
OFFICE (972) 406-8996
FAX (972) 406-0306
ORDER FAX (800) 709-2220

⑦ PASCO, WA

OFFICE (509) 547-7272
FAX (509) 547-0107

⑧ CELINA, TN

OFFICE (931) 243-5544
FAX (931) 243-5542



NATIONAL ORDER DESK

1-(800)854-2323

CALIFORNIA ORDER DESK

1-(800)472-8564

**DURA PLASTIC
PRODUCTS, INC.**

**P.O. BOX 2097
BEAUMONT, CA 92223**