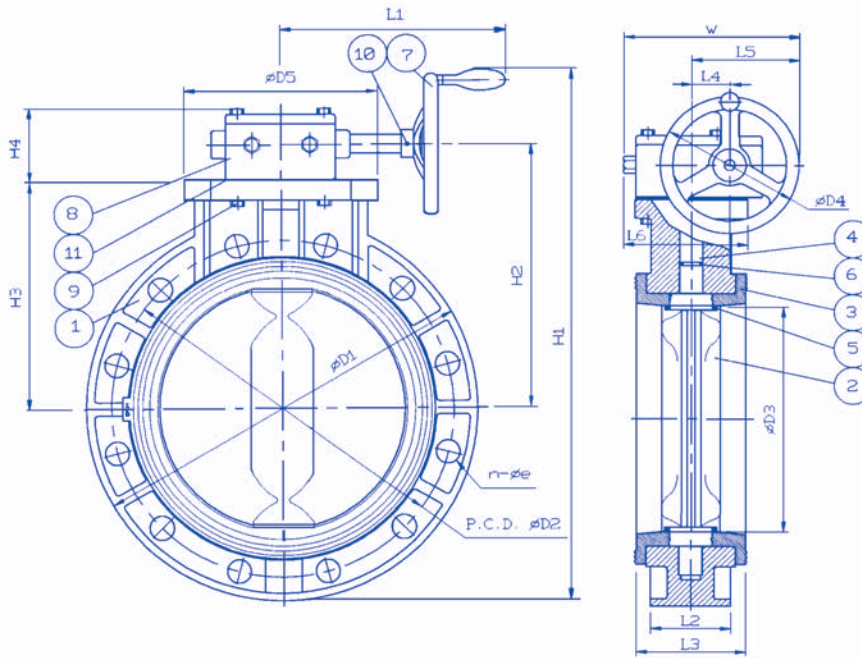


# GEAR OPERATED BUTTERFLY VALVE

## ENGINEERING SPECIFICATIONS



### PARTS

ITEM	PART	PIECES	MATERIAL
1	BODY	1	PVC
2	DISC	1	PP
3	SEAT SEAL	1	EPDM, FPM
4	STEM	1	SUS 410
5	O-RING	2	EPDM, FPM
6	O-RING	2	EPDM, FPM

ITEM	PART	PIECES	MATERIAL
7	HANDWHEEL	1	FC 20
8	GEARBOX	1	CI POWDER PAINT
9	BOLT & WASHER	4	SUS 304
10	SPRING PIN	1	STEEL
11	PACKING	1	EPDM

### ANSI DIMENSIONS

SIZE	D1	D2	D3	D4	D5	H1	H2	H3	H4	L1	L2	L3	L4	L5	L6	W	n-øe
200mm (8")	343	298.5	200	200	200	540	250	210	76	277	68	87	57	157	130	240	8-23
250mm (10")	411	362	255	200	205	590	280	240	76	278	88	110	57	157	130	240	12-25
300mm (12")	490	432	311	250	236	712	337	297	76	282	108	132	61	186	190	244	12-25

25.4mm = 1" (inch)