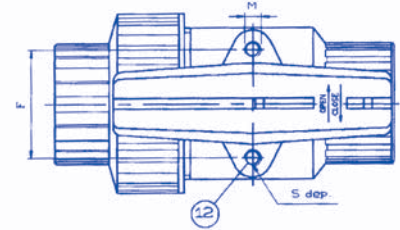
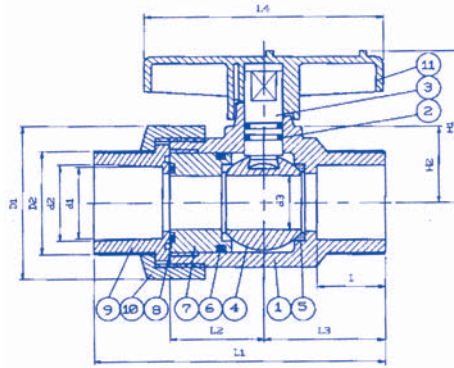




"QUALITY BY DESIGN"

**"SAFETY BLOCK" SINGLE UNION BALL VALVE
ENGINEERING SPECIFICATIONS**



PARTS

| ITEM | PART | PIECES | MATERIAL |
|------|----------------|--------|----------|
| 1 | BODY | 1 | PVC |
| 2 | STEM O-RING | 2 | EPDM |
| 3 | STEM | 1 | PVC |
| 4 | BALL | 1 | PVC |
| 5 | SEAT SEAL | 2 | PTFE |
| 6 | CARRIER O-RING | 1 | EPDM |

| ITEM | PART | PIECES | MATERIAL |
|------|---------------|--------|----------|
| 7 | SEAL CARRIER | 1 | PVC |
| 8 | UNION O-RING | 1 | EPDM |
| 9 | END CONNECTOR | 1 | PVC |
| 10 | UNION NUT | 1 | PVC |
| 11 | HANDLE | 1 | ABS |
| 12 | INSERTED NUT | 2 | C3604 |

ANSI DIMENSIONS

| SIZE | d1 | d2 | I | d3 | D1 | D2 | L1 | L2 | L3 | H | H1 | H2 | F | S | M | TEST PRESSURE Lb/in ² |
|---------------|-------|-------|-------|----|-----|----|-----|----|----|-----|-------|----|----|----|----|-------------------------------------|
| 15mm (1/2") | 21.23 | 21.54 | 22.22 | 13 | 45 | 31 | 96 | 30 | 41 | 78 | 48 | -- | -- | -- | -- | 225 |
| 20mm (3/4") | 26.57 | 26.87 | 25.40 | 18 | 55 | 37 | 112 | 37 | 47 | 92 | 58 | 26 | 33 | 8 | M6 | 225 |
| 25mm (1") | 33.27 | 33.65 | 28.58 | 23 | 66 | 44 | 122 | 39 | 51 | 100 | 65 | 33 | 40 | 11 | M6 | 225 |
| 30mm (1 1/4") | 42.04 | 42.42 | 31.75 | 30 | 81 | 54 | 140 | 44 | 57 | 110 | 75.5 | 38 | 47 | 11 | M8 | 225 |
| 40mm (1 1/2") | 48.11 | 48.56 | 34.93 | 38 | 96 | 65 | 150 | 46 | 65 | 121 | 88 | 34 | 52 | 11 | M8 | 225 |
| 50mm (2") | 60.17 | 60.63 | 38.10 | 48 | 119 | 78 | 183 | 56 | 83 | 147 | 107.5 | 43 | 70 | 15 | M8 | 225 |

25.4mm = 1" (inch)