



PVC VALVES

**“QUALITY BY
DESIGN”**



"QUALITY BY
DESIGN"

CORPORATE OFFICES AND FACTORY
PO BOX 2097
533 EAST THIRD STREET
BEAUMONT, CA 92223
(951)845-3161
FAX (951)845-7644

STANDARD WARRANTY

Dura Plastic Products, Inc. ("Sellers") warrants to the original Buyer only, that all products shall be free from defects in design and manufacture for a period of three years from the date of delivery, provided that such products are installed, used and/or adjusted only in strict accordance with the appropriate guidelines.

DO NOT USE OR TEST DURA PRODUCTS WITH COMPRESSED AIR OR GAS. DO NOT USE DURA PRODUCTS WITH COMPRESSED AIR OR GAS SYSTEMS.

MODIFICATION OF VALVE VOIDS WARRANTY. In no event shall the foregoing warranty extend to any products in any way caused or allowed to be, or installed, operated or used in such a manner as to be, subject or exposed to conditions of misuse, abuse or accident. The sole obligation of Seller, and the exclusive remedy of Buyer under this warranty, under any other warranty, expressed or implied, under any rule of law including strict liability, negligence, indemnity, or otherwise, is the replacement of the defective goods by Seller, or at Seller's sole election, the return of the purchase price of the defective goods.

Any products returned by Buyer to Seller under the foregoing terms shall be returned to Seller's place of business freight prepaid, accompanied or preceded by Buyer's particularized statement of the claimed defect. The risk of loss and freight charges to and from Seller in connection with any returned products shall be borne by Buyer, but Seller shall bear such additional freight charges arising in connection with any such returned products ultimately determined by the Seller to be defective under the terms of the foregoing warranty.

The agreement of Seller to sell its products is expressly conditioned upon the Buyer's assent to, and Seller agrees to sell its products upon, all terms and conditions set forth above and on the face hereof. Buyer's acceptance of any products provided under this sale shall constitute such assent.

THE FOREGOING WARRANTY IS EXCLUSIVE AND IN LIEU OF ANY AND ALL OTHER WARRANTIES, EXPRESSED OR IMPLIED. NO WARRANTY OF MERCHANTABILITY, NO IMPLIED WARRANTY OF FITNESS FOR ANY PARTICULAR PURPOSE, AND NO IMPLIED WARRANTY ARISING BY USAGE OF TRADE, COURSE OF DEALING OR COURSE OF PERFORMANCE IS GIVEN BY SELLER OR SHALL ARISE BY OR IN CONNECTION WITH THIS SALE AND/OR THE SELLER'S AND/OR BUYER'S CONDUCT IN RELATION THERETO OR TO EACH OTHER, AND IN NO EVENT SHALL SELLER BE LIABLE FOR ANY SPECIAL INDIRECT, INCIDENTAL OR CONSEQUENTIAL DAMAGES ARISING IN ANY WAY IN CONNECTION WITH ANY PRODUCTS OF THE SALE.

MINIMUM BILLING: Minimum billing requirement is \$50.00 net.

RETURNED MERCHANDISE: No merchandise will be accepted for return without authorization. Merchandise must be returned freight prepaid and will be subject to a 20% handling charge.

TERMS: Invoices are due and payable thirty (30) days from date of invoice. A two (2) percent prompt payment discount on net amount of invoice **Excluding Freight** will be allowed if paid by the 10th. All orders received after the 25th of the month will be considered as of the 1st of the following month for billing purposes.

FREIGHT: Prepaid on orders for products totaling \$1,000.00 net for one shipment to single destination within the contiguous United States.

Possession of this price list shall not be construed as an offer to sell the products listed.

INDEX

PVC VALVES

	PAGE
• STANDARD WARRANTY	1
• COMPACT BALL VALVES	3 - 4
• COMPACT BALL VALVES - COPPER TUBE SIZE	5
• SINGLE UNION BALL VALVE POOL & SPA	5 - 6
• "SAFETY BLOCK" SINGLE UNION BALL VALVE	6
• "SAFETY BLOCK" TRUE UNION BALL VALVE	7
• LEVER HANDLE BUTTERFLY VALVE	8
• GEAR OPERATED BUTTERFLY VALVE	8
• ECONOMY SWING CHECK VALVE	9
• IN LINE SPRING CHECK VALVE	9
• IN LINE SPRING CHECK FOOT VALVE	10
• VALVE REPAIR KITS	11
• VALVE REPLACEMENT PARTS - APPENDIX A	12 - 13
• VALVE REFERENCE MATERIAL - APPENDIX B	14
• PVC VALVE INSTALLATION INFORMATION - APPENDIX C	15 - 16
• ENGINEERING SPECIFICATIONS - APPENDIX D	17 - 25

PVC Valves

Imported Product Line

All Pvc Valves are manufactured
in Taiwan, Republic of China

**DURA PLASTIC
PRODUCTS, INC.**

P.O. BOX 2097
533 EAST THIRD STREET
BEAUMONT, CA 92223

www.duraplastics.com



"QUALITY BY DESIGN"

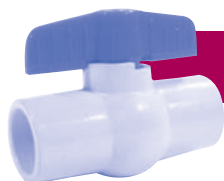
PVC VALVES
SOCKET x SOCKET



COMPACT BALL VALVES

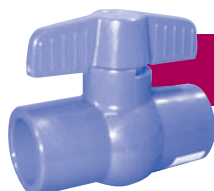
FEATURES:

- Sizes range from 1/2" to 4" socket ends
- Excellent flow characteristics
- Leak-tight shut-off
- Body: PVC
- O-ring: EPDM
- Seat: EPDM
- Test Pressure: 225psi at 73°F.
- Working Pressure: 150psi at 73°F.



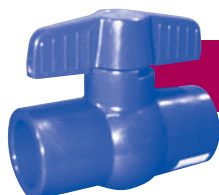
COMPACT BALL VALVE - PVC WHITE

PART NUMBER	UPC CODE	SIZE	MASTER CARTON QTY.
S1-005W	35002	1/2"	100
S1-007W	35006	3/4"	100
S1-010W	35010	1"	100
S1-012W	35014	1 1/4"	100
S1-015W	35018	1 1/2"	48
S1-020W	35022	2"	24
S1-025W	35026	2 1/2"	12
S1-030W	35030	3"	12
S1-040W	35034	4"	6



COMPACT BALL VALVE - PVC GRAY

PART NUMBER	UPC CODE	SIZE	MASTER CARTON QTY.
S1-005G	35000	1/2"	100
S1-007G	35004	3/4"	100
S1-010G	35008	1"	100
S1-012G	35012	1 1/4"	100
S1-015G	35016	1 1/2"	48
S1-020G	35020	2"	24
S1-025G	35024	2 1/2"	12
S1-030G	35028	3"	12
S1-040G	35032	4"	6



COMPACT BALL VALVE - PVC BLACK

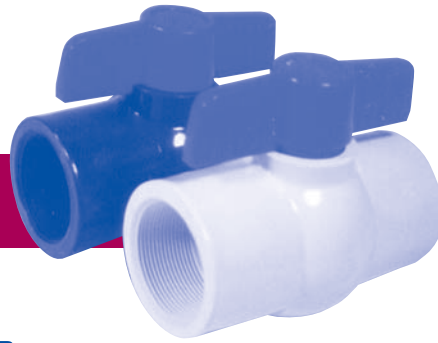
PART NUMBER	UPC CODE	SIZE	MASTER CARTON QTY.
S1-015B	35017	1 1/2"	48
S1-020B	35021	2"	24



"QUALITY BY DESIGN"

COMPACT BALL VALVES

THREADED ENDS - FIPT



FEATURES:

- Sizes range from 1/2" to 4" threaded ends
- Excellent flow characteristics
- Leak-tight shut-off
- Body: PVC
- O-ring: EPDM
- Test Pressure: 225psi at 73°F.
- Working Pressure: 150psi at 73°F.
- Seat: EPDM

COMPACT BALL VALVE - PVC WHITE



PART NUMBER	UPC CODE	SIZE	MASTER CARTON QTY.
T1-005W	35502	1/2"	100
T1-007W	35506	3/4"	100
T1-010W	35510	1"	100
T1-012W	35514	1 1/4"	100
T1-015W	35518	1 1/2"	48
T1-020W	35522	2"	24
T1-025W	35526	2 1/2"	12
T1-030W	35530	3"	12
T1-040W	35534	4"	6

COMPACT BALL VALVE - PVC GRAY

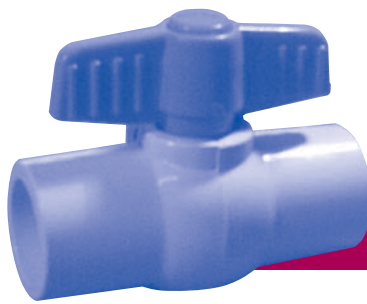


PART NUMBER	UPC CODE	SIZE	MASTER CARTON QTY.
T1-005G	35500	1/2"	100
T1-007G	35504	3/4"	100
T1-010G	35508	1"	100
T1-012G	35512	1 1/4"	100
T1-015G	35516	1 1/2"	48
T1-020G	35520	2"	24
T1-025G	35524	2 1/2"	12
T1-030G	35528	3"	12
T1-040G	35532	4"	6

PVC VALVES
THREAD x THREAD



"QUALITY BY DESIGN"



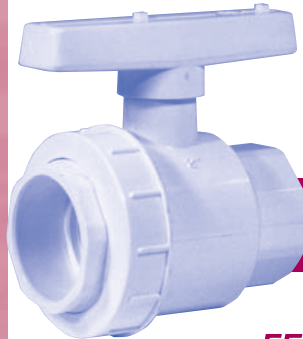
COMPACT BALL VALVES

COPPER TUBE SIZE CPVC CREAM

FEATURES:

- Sizes range from 1/2" to 1" socket ends
- Excellent flow characteristics
- Leak-tight shut-off
- Body: CPVC
- O-ring: EPDM
- Seat: PTFE
- Test Pressure: 225psi at 180°F.
- Working Pressure: 150psi at 180°F.

PART NUMBER	UPC CODE	SIZE	MASTER CARTON QTY.
CTS-005	40000	1/2"	100
CTS-007	40004	3/4"	100
CTS-010	40008	1"	100



SINGLE UNION BALL VALVE POOL & SPA

PVC WHITE ONLY

FEATURES:

- Sizes 1 1/2" & 2" with socket or threaded ends.
- Lightweight and compact. Designed for Pool & Spa installations
- Full port ball gives minimum pressure drop.
- More economical than True Union Ball Valve.
- Body: PVC
- O-ring: PTFE
- Test Pressure: 225psi
- Working Pressure: 150psi

SOCKET ENDS

PART NUMBER	UPC CODE	SIZE	MASTER CARTON QTY.
PS4-015	35607	1 1/2"	48
PS4-020	35609	2"	24

THREADED ENDS (fipt)

PART NUMBER	UPC CODE	SIZE	MASTER CARTON QTY.
PT4-015	35707	1 1/2"	48
PT4-020	35709	2"	24



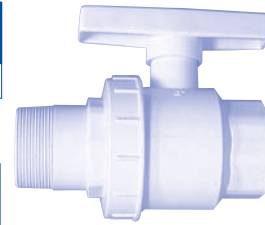
"QUALITY BY DESIGN"

NIPPLE END w/SOCKET (mipt x slip)

PART NUMBER	UPC CODE	SIZE	MASTER CARTON QTY.
PN4-015	35710	1 1/2"	24

NIPPLE END w/THREAD (mipt x fipt)

PART NUMBER	UPC CODE	SIZE	MASTER CARTON QTY.
PNT4-015	35711	1 1/2"	24



"SAFETY BLOCK" SINGLE UNION BALL VALVE

PVC WHITE

FEATURES:

- Sizes 1/2" through 2" with socket or threaded ends.
- Quick disconnect union end for maintenance or modification of piping system.
- Full port ball gives minimum pressure drop.
- Leak-tight shut-off, safety blocked.
- Easy manual operation.
- Body: PVC
- O-ring: EPDM
- Test Pressure: 225psi
- Working Pressure: 150psi

SOCKET ENDS

PART NUMBER	UPC CODE	SIZE	MASTER CARTON QTY.
S4-005	35600	1/2"	48
S4-007	35602	3/4"	36
S4-010	35604	1"	24
S4-012	35605	1 1/4"	24
S4-015	35606	1 1/2"	24
S4-020	35608	2"	12

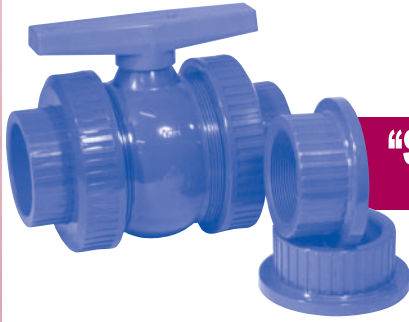
THREADED ENDS (fipt)

PART NUMBER	UPC CODE	SIZE	MASTER CARTON QTY.
T4-005	35700	1/2"	48
T4-007	35702	3/4"	36
T4-010	35704	1"	24
T4-012	35705	1 1/4"	24
T4-015	35706	1 1/2"	24
T4-020	35708	2"	12

PVC VALVES



"QUALITY BY DESIGN"



"SAFETY BLOCK" TRUE UNION BALL VALVE PVC GRAY

FEATURES:

- Sizes range from 1/2" to 4" - packaged with dual end connectors - both socket and threaded ends.
- Test Pressure: 225psi Working Pressure: 150psi
- Quick disconnect union ends for maintenance or modification of piping system.
- Allows safe removal of downstream union nut for maintenance or modification of system.
- Leak-tight shut-off, safety-blocked.
- Full port design, minimum flow restriction.
- Quick and easy disassembly without the use of special tools.

• Body: PVC

• O-ring: EPDM

PART NUMBER	UPC CODE	SIZE	MASTER CARTON QTY.
ST8-005	35800	1/2"	48
ST8-007	35804	3/4"	36
ST8-010	35808	1"	24
ST8-012	35812	1 1/4"	24
ST8-015	35816	1 1/2"	24
ST8-020	35820	2"	12
ST8-025	35824	2 1/2"	12
ST8-030	35828	3"	6
ST8-040	35832	4"	1

VITON

• Body: PVC

• O-ring: FPM

PART NUMBER	UPC CODE	SIZE	MASTER CARTON QTY.
VST8-010	35810	1"	24
VST8-012	35814	1 1/4"	24
VST8-015	35818	1 1/2"	24
VST8-020	35822	2"	12
VST8-025	35826	2 1/2"	12
VST8-030	35830	3"	6
VST8-040	35834	4"	1

LEVER HANDLE BUTTERFLY VALVE

PVC

FEATURES:

- Corrosion resistance.
- Test pressure: 225psi
- Working pressure: 150psi
- Sizes range from 2" through 8".
- Body: PVC
- O-ring: EPDM
- Positive lock flow adjustment.
- Clear indication of disc opening degree.
- Excellent flow characteristics.

PART NUMBER	UPC CODE	SIZE	MASTER CARTON QTY.
H10-020	31000	2"	4
H10-025	31004	2 1/2"	4
H10-030	31008	3"	4
H10-040	31012	4"	4
H10-060	31020	6"	4
H10-080	31024	8"	1

VITON

- Body: PVC
- O-ring: FPM

PART NUMBER	UPC CODE	SIZE	MASTER CARTON QTY.
VH10-020	31002	2"	4
VH10-030	31010	3"	4
VH10-040	31014	4"	4
VH10-060	31022	6"	4



"QUALITY BY DESIGN"

GEAR OPERATED BUTTERFLY VALVE

PVC

FEATURES:

- Corrosion resistance.
- Excellent flow characteristics.
- Lower torque and greater sealing capacity.
- Body: PVC
- O-ring: EPDM
- Clear indication of disc opening degree.
- Ideally suited for flow control in a minimum piping space.

PART NUMBER	UPC CODE	SIZE	MASTER CARTON QTY.
G10-080	30500	8"	1
G10-100	30504	10"	1
G10-120	30508	12"	1

VITON

- Body: PVC
- O-ring: FPM

PART NUMBER	UPC CODE	SIZE	MASTER CARTON QTY.
VG10-080	30502	8"	1
VG10-100	30506	10"	1
VG10-120	30510	12"	1



PVC VALVES



"QUALITY BY DESIGN"

PVC VALVES



ECONOMY SWING CHECK VALVE PVC

FEATURES:

- Corrosion resistance.
- Full flow design
- Angle seat and weight flapper design for low pressure seal.
- Designed for both horizontal or vertical usage.
- Weighted and shielded flapper will retain backpressure up to 225psi.
- Pressure rated 150psi.
- Ideal for close working areas, easy pipe alignment.

- Body: PVC
- O-ring: EPDM

PART NUMBER	UPC CODE	SIZE	MASTER CARTON QTY.
S11-030	40114	3"	8
S11-040	40116	4"	6



IN LINE SPRING CHECK VALVE PVC

FEATURES:

- Maintenance free operation
- Minimum flow pressure 2psi.
- Use to stop backflow and syphoning in swimming pools, hot tubs, spas, solar installations, industrial applications and agricultural irrigation.

- Body: PVC
- Seal: EPDM

PART NUMBER	UPC CODE	SIZE	MASTER CARTON QTY.
S12-007	40202	3/4"	120
S12-010	40204	1"	80
S12-012	40206	1 1/4"	60
S12-015	40208	1 1/2"	60
S12-020	40210	2"	40



"QUALITY BY DESIGN"

IN LINE SPRING CHECK FOOT VALVE

PVC



FEATURES:

- Maintenance free operation
- Minimum flow pressure 2psi.
- Use to stop backflow and syphoning in swimming pools, hot tubs, spas, solar installations, industrial applications and agricultural irrigation.

• Body: PVC

• Seal: EPDM

PART NUMBER	UPC CODE	SIZE	MASTER CARTON QTY.
S13-010	40304	1"	64
S13-012	40306	1 1/4"	58
S13-015	40308	1 1/2"	30
S13-020	40310	2"	24

PVC VALVES



"QUALITY BY DESIGN"

S4 - T4 VALVE REPAIR KITS

EPDM

PART NUMBER	SIZE
K4-05E	1/2"
K4-07E	3/4"
K4-10E	1"
K4-12E	1 1/4"
K4-15E	1 1/2"
K4-20E	2"

VITON

PART NUMBER	SIZE
K4-05V	1/2"
K4-07V	3/4"
K4-10V	1"
K4-12V	1 1/4"
K4-15V	1 1/2"
K4-20V	2"

ST8 VALVE REPAIR KITS

EPDM

PART NUMBER	SIZE
K8-05E	1/2"
K8-07E	3/4"
K8-10E	1"
K8-12E	1 1/4"
K8-15E	1 1/2"
K8-20E	2"
K8-25E	2 1/2"
K8-30E	3"
K8-40E	4"

VITON

PART NUMBER	SIZE
K8-05V	1/2"
K8-07V	3/4"
K8-10V	1"
K8-12V	1 1/4"
K8-15V	1 1/2"
K8-20V	2"
K8-25V	2 1/2"
K8-30V	3"
K8-40V	4"

PS4 - PT4 VALVE REPAIR KITS

EPDM

PART NUMBER	SIZE
KP4-15E	1 1/2"
KP4-20E	2"

- KP4 Kit includes: Stem o-ring (2), Union o-ring (1), PTFE seat seal (2).
- KP4 Kit to be used for all PS4 and PT4 valves.

COMPACT BALL VALVE REPLACEMENT HANDLES

PART NUMBER	SIZE	MATERIAL
H1-05	1/2"	ABS
H1-07	3/4"	ABS
H1-10	1"	ABS
H1-12	1 1/4"	ABS
H1-15	1 1/2"	ABS
H1-20	2"	ABS
H1-25	2 1/2"	ABS
H1-30	3"	ABS
H1-40	4"	ABS

- ABS - Acrylonitrile-Butadiene-Styrene
- Due to the nature and characteristics of ABS material, ultra violet conditions or extreme temperature (high and low) will cause accelerated deterioration of the material properties which may cause fading and brittleness.

LEVER HANDLE BUTTERFLY VALVE REPLACEMENT HANDLES

PART NUMBER	SIZE	MATERIAL
H10-20	2"	ABS
H10-25	2 1/2"	ABS
H10-30	3"	ABS
H10-40	4"	ABS
H10-60	6"	ABS
H10-80	8"	ABS

BUTTERFLY WHEEL REPLACEMENT

PART NUMBER	SIZE	MATERIAL
W10-080	8"	FC 20
W10-100	10"	FC 20
W10-120	12"	FC 20



"QUALITY BY
DESIGN"

PVC VALVES-
REPLACEMENT PARTS
APPENDIX A



"QUALITY BY DESIGN"

**PVC VALVES -
REPLACEMENT PARTS
APPENDIX A**

**BUTTERFLY VALVE GEAR BOX
REPLACEMENT**

PART NUMBER	SIZE	MATERIAL
GB10-080	8"	CI POWDER PAINT
GB10-100	10"	CI POWDER PAINT
GB10-120	12"	CI POWDER PAINT



"QUALITY BY DESIGN"

PVC VALVE REFERENCE MATERIAL

Key to Abbreviations

ABS	Acrylonitrile Butadiene Styrene
CPVC	Chlorinated Poly Vinyl Chloride
CR (Neoprene)	Chloroprene Rubber
EPDM	Ethylene Propylene Rubber
FPM (Viton)	Fluorine Rubber
GF	Glass Fiber
MP	Mineral Powder
NBR	Nitrile Butadiene Rubber
NR	Natural Rubber
NSF	National Sanitation Foundation
PC	Polycarbonate
PE	Polyethylene
PP	Polypropylene
PTFE	Polytetrafluoroethylene
PVC	Poly Vinyl Chloride
PVDF	Poly Vinylidene Fluoride
SBR	Styrene Butadiene Rubber
SUS	Steel Special Use Stainless
UPVC	Unplasticized Poly Vinyl Chloride
VP	Valve Plastic

Reference Range of Temperature

Material	Abbreviation	General chemical resistance	Max. Service temperature	
			Continuous	Short hours
Rigid Polyvinyl Chloride (Rigid PVC)	PVC	Resistant against most of acids, alkalis and salts of high to low concentration level. However, the material tends to be attacked by some chemicals- such as aromatic hydrocarbon, ketones, esters and chlorinated hydrocarbon.	5°C ~ 50°C	60°C
Heat-resistant Rigid Polyvinyl Chloride (Heat-resistant PVC)	CPVC	Resistance properties are nearly the same as rigid PVC. Having a high heat-resistance, this is serviceable in the temperature range higher than the former's.	0°C ~ 90°C	100°C
Polypropylene	PP	Not stable against strong acids such as concentrated nitric acid and chrome acid mixture, but this is resistant against other acids, alkalis and salts. Resistant against many organic solvents (specifically the solvent with active group), but tends to be attacked by chlorine-containing solvents, aliphatic series and aromatic hydrocarbon.	0°C ~ 90°C	100°C
Vinylidene Fluoride	PVDF	Highly resistant up to a high temperature range against ordinary acids & salts and organic chemicals, but broken down by fuming sulfuric acid and strong basic amines. Also, the use conditions with ketone, amide, ester, organic solvent and alkali are limited.	-20°C ~ 150°C	150°C
Ethylene Propylene Rubber	EPDM	Provided with an excellent ozone-resistance and chemical-resistance. Comparatively resistant against ketone and ester, but less resistant against aromatic & aliphatic families, and gasoline and oil.	-10°C ~ 130°C	150°C
Polytetrafluoroethylene (Trade name, Teflon®)	PTFE	Resistant against ordinary acid and alkali, and not dissolved nor changed by ordinary solvent medium. Attacked by melted alkali metal and in high temperature, by fluorine and chlorine trifluoride.	-20°C ~ 250°C	300°C
Fluororubber (Trade name, Viton®)	FPM	Most chemical-resistant among all rubber families. Has a good resistance against strong oxidizing acid such as concentrated sulfuric acid and nitric acid; resistant against aliphatic and aromatic families and oils, but attacked by ketones, ammonia anhydride, concentrated caustic soda, etc.	-5°C ~ 150°C	200°C

Chemical Resistance of Material

Chemicals	Concentration (%)	Temperature (°C)	Material						
			PVC	CPVC	PP	PVDF	PTFE	EPDM	FPM
Sodium chloride	Saturated Water Solution	40	⊙	⊙	⊙	⊙	⊙	⊙	⊙
		60	⊙	⊙	⊙	⊙	⊙	⊙	⊙
		80	⊙	⊙	⊙	⊙	⊙	⊙	⊙
Hydrochloric acid	35	40	⊙	⊙	⊙	⊙	⊙	⊙	⊙
		60	○	⊙	○	⊙	⊙	○	⊙
		80	○	○	○	⊙	⊙	○	⊙
Caustic soda	50	40	⊙	⊙	⊙	○	⊙	⊙	×
		60	⊙	⊙	⊙	×	⊙	⊙	○
		80	⊙	○	○	×	⊙	△	○
Chromic acid	20	40	⊙	⊙	×	⊙	⊙	○	⊙
		60	○	⊙	○	⊙	⊙	×	○
		80	○	○	○	⊙	⊙	○	○
Acetic acid	50	40	○	○	○	⊙	⊙	○	○
		60	△	△	△	⊙	⊙	○	○
		80	×	×	○	⊙	⊙	△	○
Soda hypochlorite	13	40	⊙	○	△	⊙	⊙	×	○
		60	○	○	○	⊙	⊙	○	○
		80	○	○	○	×	⊙	○	○
Nitric acid	50	40	○	○	⊙	⊙	⊙	×	○
		60	○	△	△	⊙	⊙	○	△
		80	×	△	×	⊙	⊙	○	×
Toluene		40	×	×	△	⊙	⊙	×	○
		60	○	○	×	○	⊙	○	○
		80	○	○	○	△	⊙	○	○
Hydrogen sulfide	Aqueous Solution	40	⊙	⊙	⊙	⊙	⊙	⊙	⊙
		60	⊙	⊙	⊙	⊙	⊙	⊙	○
		80	⊙	⊙	⊙	⊙	⊙	⊙	○
Sulfuric acid	90	40	○	⊙	⊙	⊙	○	⊙	
		60	○	○	○	⊙	⊙	△	○
		80	○	○	○	⊙	⊙	×	○

⊙	Not affected	△	Slightly affected but serviceable
○	Negligibly affected	×	Not serviceable

PVC VALVES APPENDIX B



"QUALITY BY DESIGN"

VALVE INSTALLATION INFORMATION

RECOMMENDATIONS FOR INSTALLERS AND USERS:

Plastic piping systems should be engineered, installed, operated and maintained in accordance with accepted standards and procedures for plastic piping systems. **PRIOR TO ASSEMBLY**, all piping components should be **PRE-FIT** to assure compatibility of the mating components. **DO NOT** use any components which do not fit or mate up properly; contact the appropriate component manufacturer for assistance.

It is absolutely necessary that all design, installation, operation and maintenance personnel be trained in the proper handling and installation requirements and precautions of plastic piping systems before starting. Incorrect procedures may produce unsound connections. Care must be taken to prevent the solvent cement or primer from coming in contact with internal components, e.g., ball, cup, wedge, teflon seats, etc. Read and follow all safety precautions as recommended by solvent cement and primer manufacturer. Dura Plastic Products, Inc. recommends the use of a quality grade thread sealant. Choice of either teflon tape, paste or other pipe joint compounds is at the discretion of the installer. The manufacturer's literature for these products should be reviewed for proper selection and application procedures. **WARNING: Some pipe joint compounds or Teflon pastes may contain substances that could cause stress cracking to plastics.**

When making up threaded connections to the valve, care must be taken to avoid overtightening threaded connections which may cause damage to both pipe and fittings. Generally, **one to two turns beyond finger tight** is all that is required to make a sound plastic threaded connection. **WARNING: An excessive buildup of Teflon tape can cause an over-stressed condition.**

--NOTE--

When installing a threaded end connector, the use of two strap wrenches is suggested to keep the end connector from backing out of the threads, thus breaking the seal. It is important that the union nuts are not used to put the system together. Pipe must be cut and installed in such a manner as to avoid all stress loads associated with bending, pulling or shifting. The system should be designed and installed so as to not pull on the valve in any direction.

BEFORE THE VALVE IS CYCLED, all dirt, sand, grit or other material should be flushed from the system. This is to prevent scarring of internal components, e.g., ball, cup, wedge, teflon seats, etc.

Dura Plastic Products, Inc. **DOES NOT RECOMMEND** the use of thermoplastic piping products for systems **TO TRANSPORT OR STORE COMPRESSED AIR OR GASES**, or the **TESTING** of thermoplastic piping systems with **COMPRESSED AIR OR GASES IN ABOVE AND BELOW GROUND LOCATIONS**. The use of our product in exposed, compressed air or gas systems automatically voids our warranty for such products, and its use against our recommendation is entirely the responsibility and liability of the installer. Dura Plastics will not accept responsibility for damage or impairment of its products or other consequential or incidental damages caused by misapplication, incorrect assembly, and/or exposure to harmful substances or conditions.

DO NOT TEST OR USE WITH COMPRESSED AIR OR GAS.

VALVE INSTALLATION INFORMATION

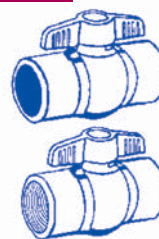
CONTINUED



"QUALITY BY DESIGN"

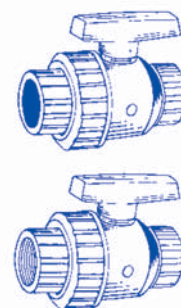
COMPACT BALL VALVE

Before installation, make sure the valve is in the "open" position and all cemented or threaded surfaces are clean and dry. Install the valve following established solvent cementing or threading procedures. A suitable support should be placed under the valve body to hold the weight of the valve. When solvent cementing, be sure to adhere to proper cure times, and wipe off any excess cement that might have accumulated at joint bead.



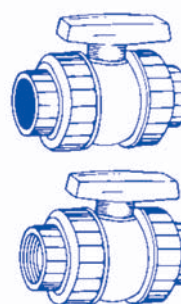
SINGLE UNION BALL VALVE

Before installation, make sure the valve is in the "open" position and all cemented or threaded surfaces are clean and dry. Install the valve following established solvent cementing or threading procedures. A suitable support should be placed under the valve body to hold the weight of the valve. When solvent cementing, be sure to adhere to proper cure times, and wipe off any excess cement that might have accumulated at joint bead. **When the system is being pressure tested, if leaks are found at the valve in an open or closed position, a 1/4 turn on the union nut with a strap wrench can be added to stop the leak.**



TRUE UNION BALL VALVE

Remove the union nuts and end connectors from the valve body. Slide one union nut over the end of the pipe on which the valve is being installed. Solvent cement or thread one end connector to this same pipe. After making sure that the end connector is at a square 90 degree angle to the pipe, open the valve completely and attach the valve body to the end connector via the union nut. Tighten this union nut "**handtight**" only. A mild soap and water solution, applied on the body threads, is suggested to help this procedure. A suitable support should be placed under the valve body at this time to hold the weight of the valve. Repeat these procedures to attach the opposite side of the valve making sure that the end connector makes contact with the face of the valve body. **When the system is being pressure tested, if leaks are found at the valve in an open or closed position, a 1/4 turn on the union nut with a strap wrench can be added to stop the leak.**

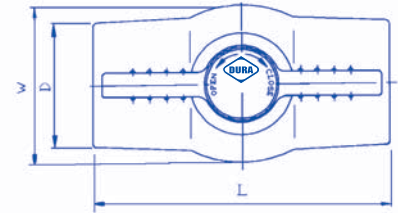
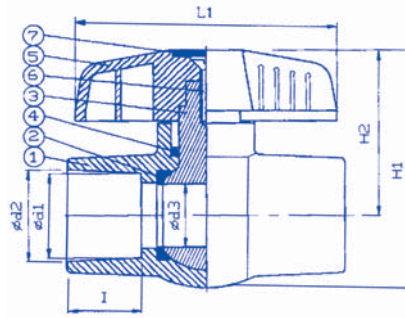


The information contained herein is based on the best available data at the time of printing. For verification of data, please contact Dura Plastic Products, Inc. Due to variations in methods, conditions, and equipment used in application of these products, no warranties, express or implied, or guarantees of suitability for a particular application are made by Dura Plastic Products, Inc. Full scale testing and end product performance are the responsibility of the user, designer, and engineer.



"QUALITY BY DESIGN"

COMPACT BALL VALVES ENGINEERING SPECIFICATIONS



PVC WHITE & GRAY

ITEM	PART	PIECES	MATERIAL
1	BODY	1	PVC
2	SEAT SEAL	2	EPDM
3	BALL	1	PVC
4	O-RING	1	EPDM
5	HANDLE	1	ABS
6	BOLT	1	STEEL
7	CAP	1	ABS

CPVC - copper tube size

ITEM	PART	PIECES	MATERIAL
1	BODY	1	CPVC
2	SEAT SEAL	2	EPDM
3	BALL	1	CPVC
4	O-RING	1	EPDM
5	HANDLE	1	ABS
6	BOLT	1	STEEL
7	CAP	1	ABS

ANSI DIMENSIONS

PVC WHITE & GRAY

SIZE	d1	d2	d3	D	L	L1	I	H1	H2	W	TEST PRESSURE Lb/in ²
15mm (1/2")	21.23	21.54	14	30	83	70	22.22	62	43	38	225
20mm (3/4")	26.57	26.87	20	38	95	88	25.40	78	54	49	225
25mm (1")	33.27	33.65	25	45	106	100	28.57	93	65	57	225
30mm (1 1/4")	42.04	42.42	30	54	114	100	31.75	98	67	63	225
40mm (1 1/2")	48.11	48.56	36	62	130	109	34.93	115	78	75	225
50mm (2")	60.17	60.63	46.5	77	147	134	38.10	135	89	92	225
65mm (2 1/2")	72.85	73.38	60	92	204	178	44.45	160	105	110	225
80mm (3")	88.70	89.31	77	106	229	224	47.63	190	124	133	225
100mm (4")	114.07	114.76	101	135	300	276	57.15	233	148	170	225

CPVC - copper tube size

SIZE	d1	d2	d3	D	L	L1	I	H1	H2	W	TEST PRESSURE Lb/in ²
15mm (1/2")	15.72	16.08	12	24	68	60	12.70	49	34	31	225
20mm (3/4")	22.10	22.45	14	30	83	70	17.78	62	43	38	225
25mm (1")	28.47	28.83	20	38	95	88	22.86	78	54	49	225

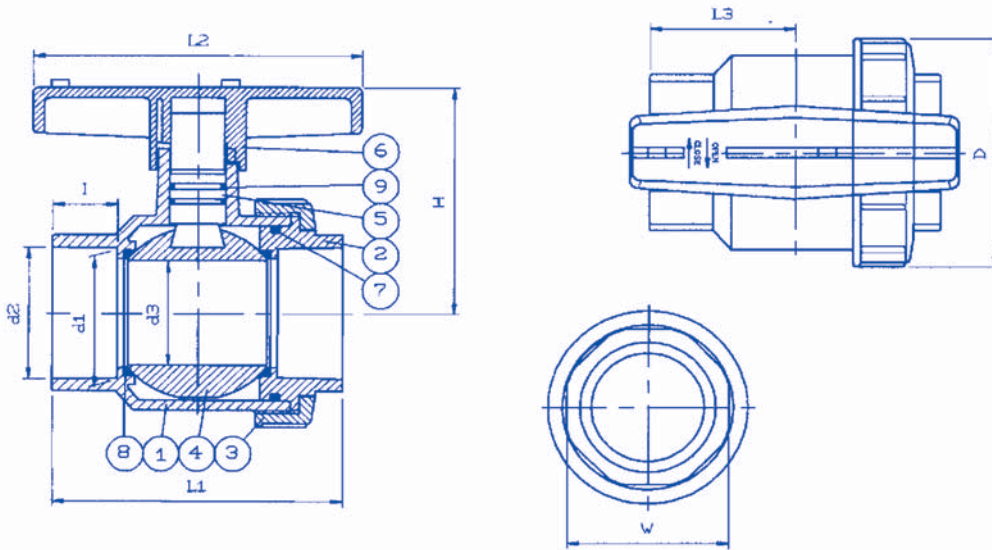
25.4mm = 1" (inch)

SINGLE UNION BALL VALVE POOL & SPA

ENGINEERING SPECIFICATIONS



"QUALITY BY DESIGN"



PVC WHITE & GRAY PVC WHITE & GRAY

ITEM	PART	PIECES	MATERIAL
1	BODY	1	PVC
2	BODY CAP	1	PVC
3	UNION NUT	1	PVC
4	BALL	1	PVC
5	STEM	1	PVC

ITEM	PART	PIECES	MATERIAL
6	HANDLE	1	ABS
7	UNION O-RING	1	EPDM
8	SEAT SEAL	2	PTFE
9	STEM O-RING	2	EPDM

ANSI DIMENSIONS

SIZE	d1	d2	d3	D	L1	L2	L3	H	W	I	TEST PRESSURE Lb/in ²
40mm (1 1/2")	48.11	48.56	38.5	87.5	115	121	56.5	85	60	27.79	225
50mm (2")	60.17	60.63	48	105	130	147	64.7	104	70	29.46	225

25.4mm = 1" (inch)

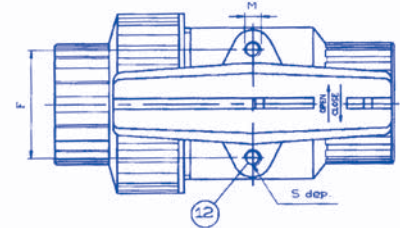
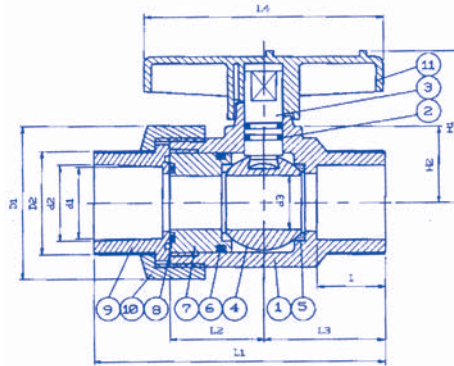
PVC VALVES
ENGINEERING SPECIFICATIONS
APPENDIX D



"QUALITY BY DESIGN"

PVC VALVES
ENGINEERING SPECIFICATIONS
APPENDIX D

"SAFETY BLOCK" SINGLE UNION BALL VALVE
ENGINEERING SPECIFICATIONS



PARTS

ITEM	PART	PIECES	MATERIAL
1	BODY	1	PVC
2	STEM O-RING	2	EPDM
3	STEM	1	PVC
4	BALL	1	PVC
5	SEAT SEAL	2	PTFE
6	CARRIER O-RING	1	EPDM

ITEM	PART	PIECES	MATERIAL
7	SEAL CARRIER	1	PVC
8	UNION O-RING	1	EPDM
9	END CONNECTOR	1	PVC
10	UNION NUT	1	PVC
11	HANDLE	1	ABS
12	INSERTED NUT	2	C3604

ANSI DIMENSIONS

SIZE	d1	d2	I	d3	D1	D2	L1	L2	L3	H	H1	H2	F	S	M	TEST PRESSURE Lb/in ²
15mm (1/2")	21.23	21.54	22.22	13	45	31	96	30	41	78	48	--	--	--	--	225
20mm (3/4")	26.57	26.87	25.40	18	55	37	112	37	47	92	58	26	33	8	M6	225
25mm (1")	33.27	33.65	28.58	23	66	44	122	39	51	100	65	33	40	11	M6	225
30mm (1 1/4")	42.04	42.42	31.75	30	81	54	140	44	57	110	75.5	38	47	11	M8	225
40mm (1 1/2")	48.11	48.56	34.93	38	96	65	150	46	65	121	88	34	52	11	M8	225
50mm (2")	60.17	60.63	38.10	48	119	78	183	56	83	147	107.5	43	70	15	M8	225

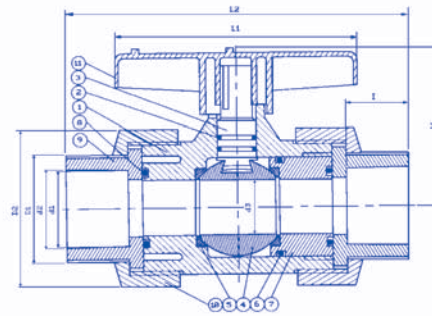
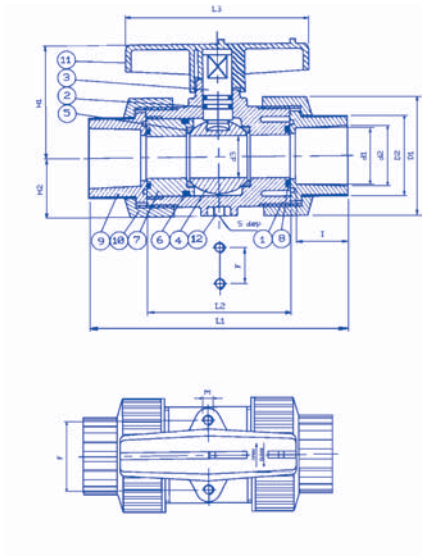
25.4mm = 1" (inch)



"QUALITY BY DESIGN"

"SAFETY BLOCK" TRUE UNION BALL VALVE

ENGINEERING SPECIFICATIONS



SIZES 1/2" - 2"

ITEM	PART	PIECES	MATERIAL
1	BODY	1	PVC
2	STEM O-RING	2	EPDM, FPM
3	STEM	1	PVC
4	BALL	1	PVC
5	SEAT SEAL	2	PTFE
6	CARRIER O-RING	1	EPDM, FPM
7	SEAL CARRIER	1	PVC
8	UNION O-RING	2	EPDM, FPM
9	END CONNECTOR	2	PVC
10	UNION NUT	2	PVC
11	HANDLE	1	ABS
12	INSERTED NUT	2,4	C3604

SIZES 2 1/2" - 4"

ITEM	PART	PIECES	MATERIAL
1	BODY	1	PVC
2	STEM O-RING	2	EPDM, FPM
3	STEM	1	PVC
4	BALL	1	PVC
5	SEAT SEAL	2	PTFE
6	CARRIER O-RING	1	EPDM, FPM
7	SEAL CARRIER	1	PVC
8	UNION O-RING	2	EPDM, FPM
9	END CONNECTOR	2	PVC
10	UNION NUT	2	PVC
11	HANDLE	1	ABS

ANSI DIMENSIONS

SIZE	d1	d2	I	d3	D1	D2	L1	L2	L3	H	H1	H2	F	S	M	TEST PRESSURE Lb/in ²
15mm (1/2")	21.23	21.54	22.22	13	45	31	111	60	78	--	48	--	--	--	--	225
20mm (3/4")	26.57	26.87	25.40	18	55	37	130	73	92	--	58	26	33	8	M6	225
25mm (1")	33.27	33.65	28.58	23	66	44	145	78	100	--	65	33	40	11	M6	225
30mm (1 1/4")	42.04	42.42	31.75	30	81	54	165	87	110	--	75.5	38	47	11	M8	225
40mm (1 1/2")	48.11	48.56	34.93	38	96	65	171	92	121	--	88	42	52	11	M8	225
50mm (2")	60.17	60.63	38.10	48	119	78	200	112	147	--	107.5	53	70	15	M8	225
65mm (2 1/2")	72.85	73.38	44.45	60	91	136	180	275	--	119	--	--	--	--	--	225
80mm (3")	88.70	89.31	47.63	69	107	156	239	300	--	129	--	--	--	--	--	225
100mm (4")	114.07	114.76	57.15	100	145	224	278	328	--	176	--	--	--	--	--	225

25.4mm = 1" (inch)

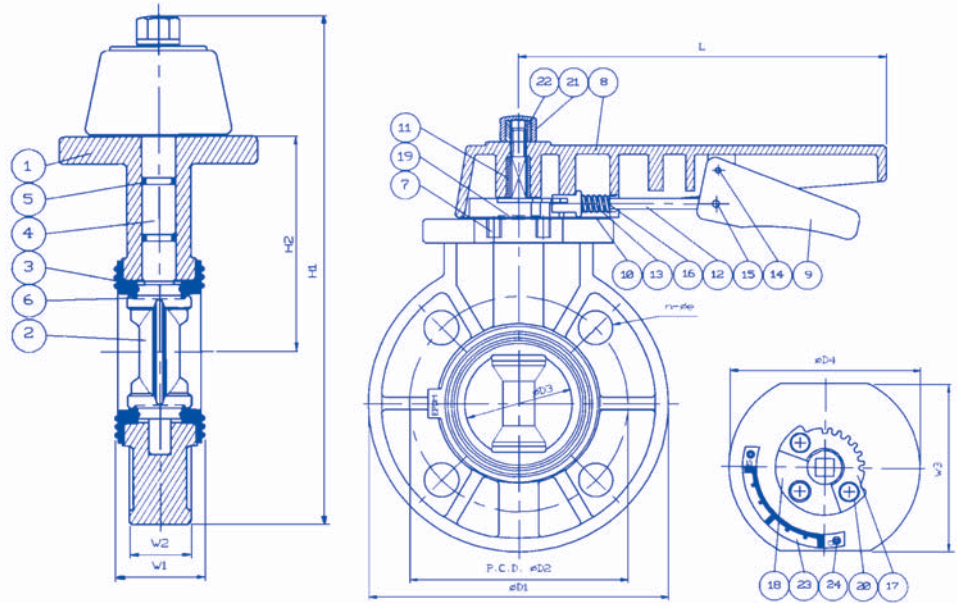
PVC VALVES
ENGINEERING SPECIFICATIONS
APPENDIX D



"QUALITY BY DESIGN"

PVC VALVES
ENGINEERING SPECIFICATIONS
APPENDIX D

LEVER HANDLE BUTTERFLY VALVE
ENGINEERING SPECIFICATIONS



PARTS

ITEM	PART	PIECES	MATERIAL
1	BODY	1	PVC
2	DISC	1	PP
3	SEAT SEAL	1	EPDM, FPM
4	STEM	1	SUS 410
5	O-RING	2	EPDM, FPM
6	O-RING	2	EPDM, FPM
7	INSERTED NUT	3	SS 41
8	LARGE HANDLE	1	ABS
9	SMALL HANDLE	1	ABS
10	SPRING LOCK	1	ABS
11	HANDLE INSERT	1	SS
12	HANDLE LEVER	1	SUS 304

ITEM	PART	PIECES	MATERIAL
13	SPRING	1	SUS 304
14	SPRING PIN	1	SUS 304
15	SPRING PIN	1	SUS 304
16	WASHER	1	SUS 304
17	LOCKING PLATE	1	SUS 304
18	GEAR SEAT	1	PP + GF
19	WASHER	1	SUS 304
20	BOLT	3	SUS 304
21	NUT	1	PVC
22	INSERT NUT	1	C3604
23	LEVER	1	SUS 304
24	RIVET	2	SS

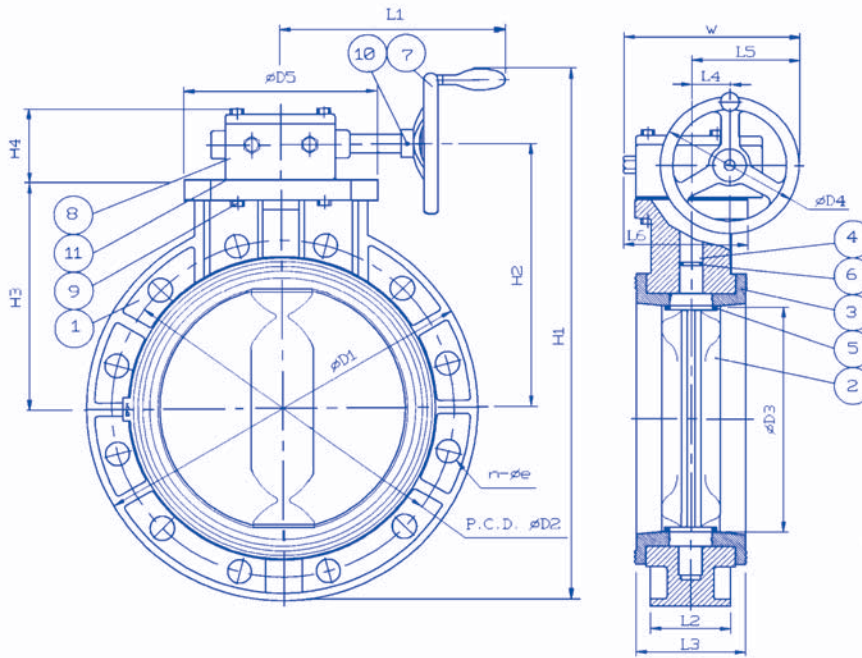
ANSI DIMENSIONS

SIZE	D1	D2	D3	D4	L	H1	H2	W1	W2	W3	n-Øe	TEST PRESSURE Lb/in ²
50mm (2")	165	120.4	56.5	105	203	246	103	42	35	93	48	225
65mm (2 1/2")	185	139.5	70	120	203	266	113	46	37	94	58	225
80mm (3")	200	152.4	79	123	203	276	115	46	37	94	65	225
100mm (4")	229	190.5	103	135	254	318	135	56	47	100	75.5	225
150mm (6")	285	241.5	151	169	304	405	177	71	62	100	88	225
200mm (8")	343	298.5	200	200	304	466	210	87	68	120	107.5	225

25.4mm = 1" (inch)

GEAR OPERATED BUTTERFLY VALVE

ENGINEERING SPECIFICATIONS



PARTS

ITEM	PART	PIECES	MATERIAL
1	BODY	1	PVC
2	DISC	1	PP
3	SEAT SEAL	1	EPDM, FPM
4	STEM	1	SUS 410
5	O-RING	2	EPDM, FPM
6	O-RING	2	EPDM, FPM

ITEM	PART	PIECES	MATERIAL
7	HANDWHEEL	1	FC 20
8	GEARBOX	1	CI POWDER PAINT
9	BOLT & WASHER	4	SUS 304
10	SPRING PIN	1	STEEL
11	PACKING	1	EPDM

ANSI DIMENSIONS

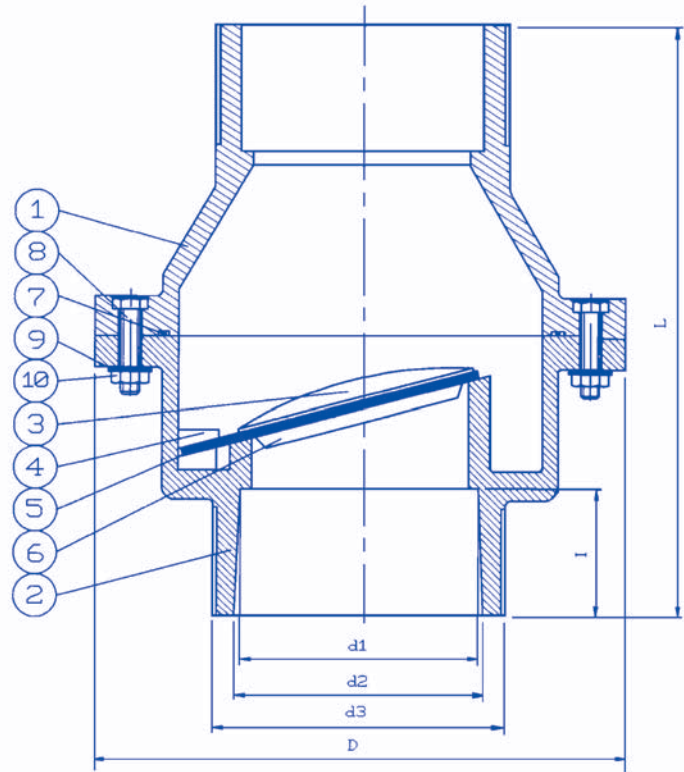
SIZE	D1	D2	D3	D4	D5	H1	H2	H3	H4	L1	L2	L3	L4	L5	L6	W	n-Øe
200mm (8")	343	298.5	200	200	200	540	250	210	76	277	68	87	57	157	130	240	8-23
250mm (10")	411	362	255	200	205	590	280	240	76	278	88	110	57	157	130	240	12-25
300mm (12")	490	432	311	250	236	712	337	297	76	282	108	132	61	186	190	244	12-25

25.4mm = 1" (inch)



"QUALITY BY DESIGN"

ECONOMY SWING CHECK VALVE ENGINEERING SPECIFICATIONS



PARTS

ITEM	PART	PIECES	MATERIAL
1	UPPER BODY	1	PVC
2	LOWER BODY	1	PVC
3	DISC	1	PVC
4	SET BULGE	1	PVC
5	SHEET GASKET	1	EPDM

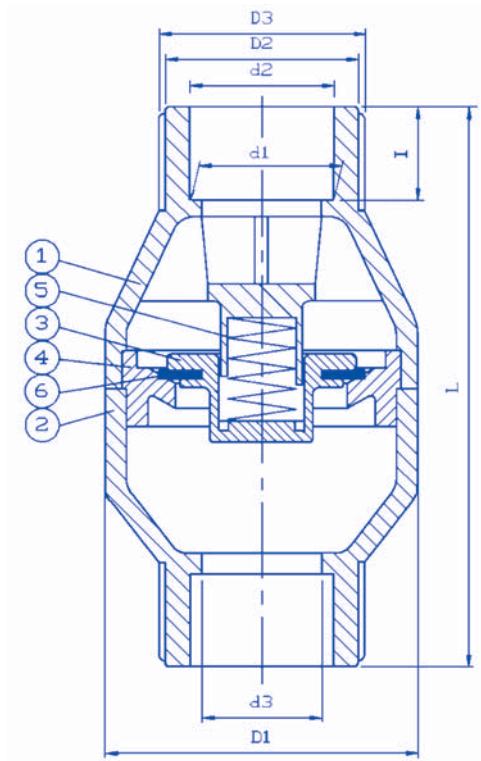
ITEM	PART	PIECES	MATERIAL
6	SHEET GASKET HOLDER	1	PVC
7	O-RING	1	EPDM
8	BOLT	10	SUS 304
9	WASHER	10	SUS 304
10	NUT	10	SUS 304

ANSI DIMENSIONS

SIZE	d1	d2	d3	D	I	L
80mm (3")	88.70	89.31	108	196	47.63	221
100mm (4")	114.07	114.76	133	210	57.15	271

25.4mm = 1" (inch)

IN LINE SPRING CHECK VALVE ENGINEERING SPECIFICATIONS



PARTS

ITEM	PART	PIECES	MATERIAL
1	UPPER BODY	1	PVC
2	LOWER BODY	1	PVC
3	SPIGOT	1	PVC
4	CONNECTOR SEAT	1	PVC
5	SPRING	2	SUS 304
6	SEAL	2	EPDM

ANSI DIMENSIONS

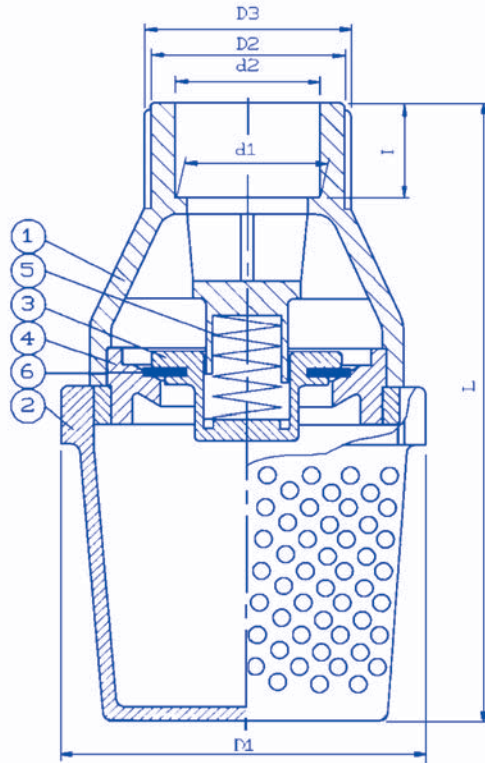
SIZE	d1	d2	d3	D1	D2	D3	L	I
20mm (3/4")	26.57	26.87	21	56	35	38	105	18.26
25mm (1")	33.27	33.65	28	73	45	48	133	22.22
32mm (1 1/4")	42.04	42.42	35	91	52	55	157	23.82
40mm (1 1/2")	48.11	48.56	39	91	60	63	157	26.77
50mm (2")	60.17	60.63	52	107	73	76	178	29.36

25.4mm = 1" (inch)



"QUALITY BY DESIGN"

**IN LINE SPRING CHECK FOOT VALVE
ENGINEERING SPECIFICATIONS**



PARTS

ITEM	PART	PIECES	MATERIAL
1	BODY	1	PVC
2	FILTER	1	PVC
3	SPIGOT	1	PVC
4	CONNECTOR SEAT	1	PVC
5	SPRING	1	SUS 304
6	SEAL	1	EPDM

ANSI DIMENSIONS

SIZE	d1	d2	d3	D1	D2	D3	L	I
25mm (1")	33.27	33.65	28	83	45	48	147	22.22
32mm (1 1/4")	42.04	42.42	35	83	52	55	170	23.82
40mm (1 1/2")	48.11	48.56	39	110	60	63	170	26.77
50mm (2")	60.17	60.63	52	124	73	76	198	29.36

25.4mm = 1" (inch)



"QUALITY BY DESIGN"

VALVES - PVC
IMPORTED PRODUCT LINE

A large rectangular area with horizontal blue lines, intended for handwritten notes.

NOTES



DURA WAREHOUSES

① CORPORATE

OFFICE (951)845-3161 FAX (951) 845-7644

② PERRY, GA

OFFICE (478) 988-0282
FAX (478) 987-7003

④ FRACKVILLE, PA

OFFICE (570) 874-4651
FAX (570) 874-4652

⑥ SALT LAKE CITY, UT

OFFICE (801) 973-9442
FAX (801) 973-9258

③ BURLINGTON, IA

OFFICE (319) 758-9060
FAX (319) 758-9058
TOLL
FREE (800) 758-9060

⑤ CARROLLTON, TX

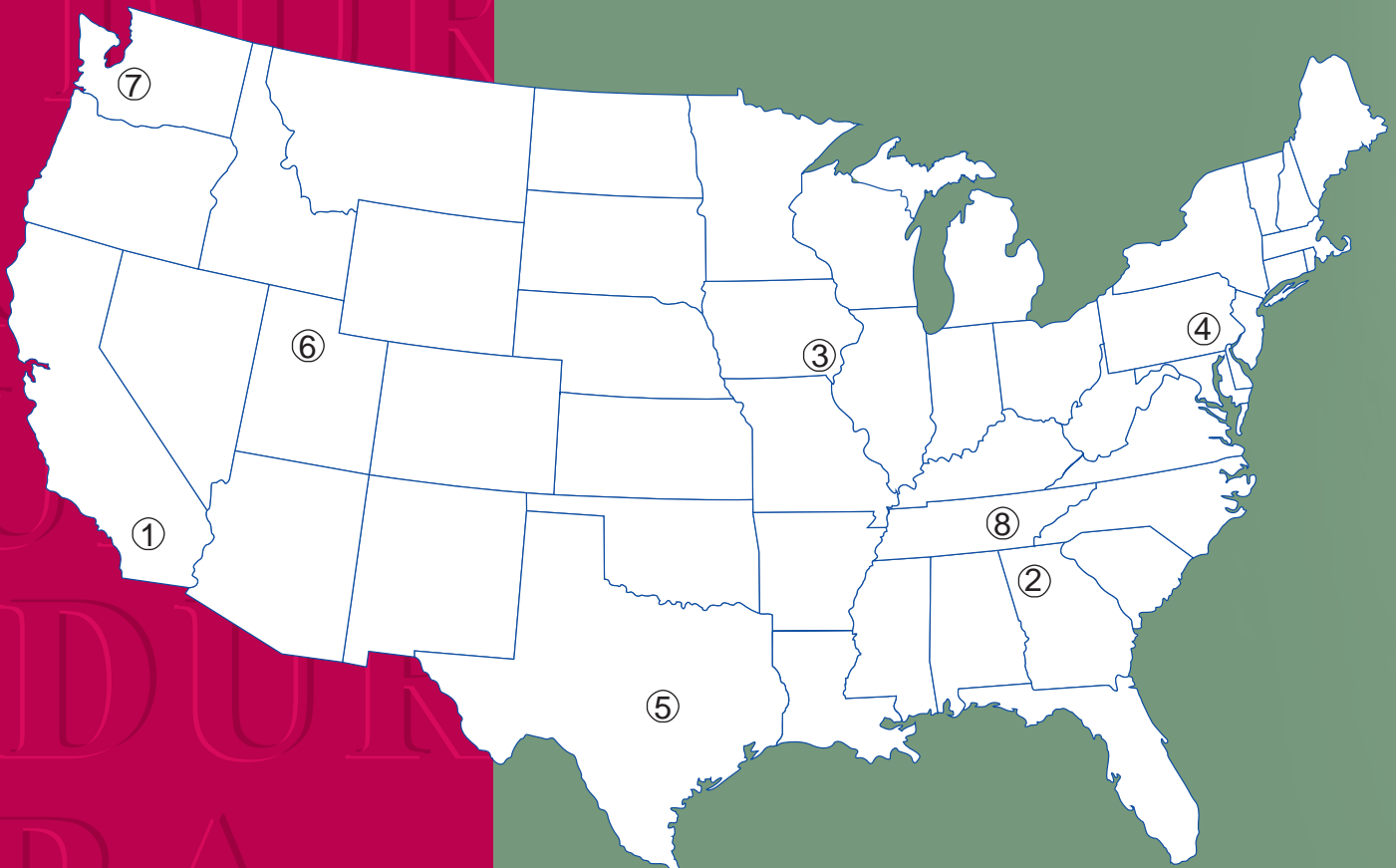
OFFICE (972) 406-8996
FAX (972) 406-0306
ORDER
FAX (800) 709-2220

⑦ PASCO, WA

OFFICE (509) 547-7272
FAX (509) 547-0107

⑧ CELINA, TN

OFFICE (931) 243-5544
FAX (931) 243-5542



NATIONAL ORDER DESK

1-(800)854-2323

CALIFORNIA ORDER DESK

1-(800)472-8564

DURA PLASTIC
PRODUCTS, INC.

P.O. BOX 2097
BEAUMONT, CA 92223